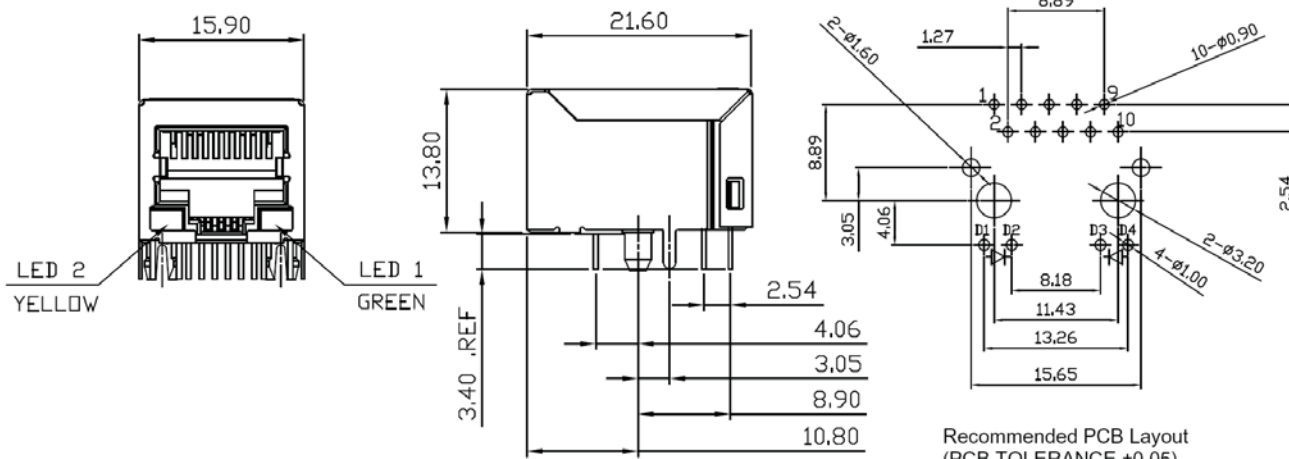
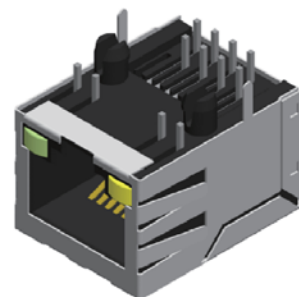


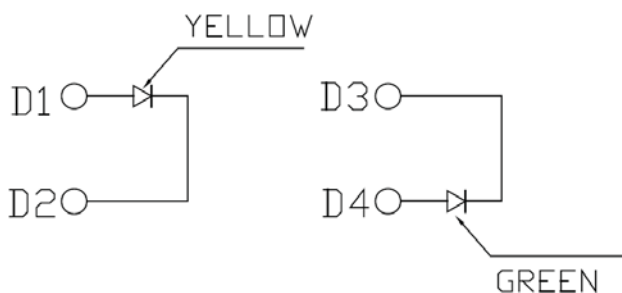
Modular Jack Shielded Side Entry With LED Transformer H=13.8 W=21.6

Material & Finish:

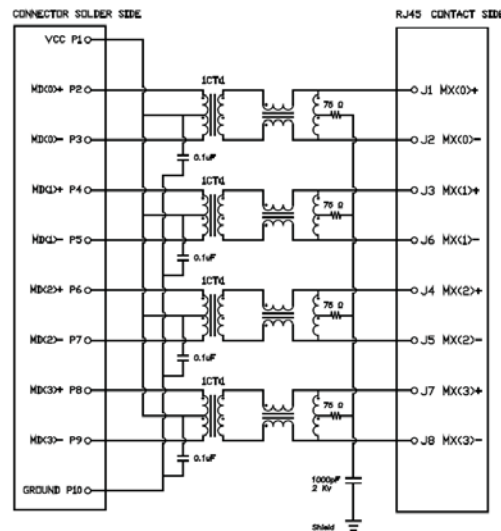
Housing: Glass Fiber, PBT, UL94V-0
 Contact: 0.35 mm Thickness Phosphor Bronze,
 Gold Plated Over Nickel on Contact Area,
 Tin Plated Over Nickel on Solder Area.



Recommended PCB Layout
 (PCB TOLERANCE ±0.05)



Color	Lens Color	VF(V) @20mA		Iv(mcd) @10mA		Viewing angle 2θ 1/2	If (mA)	Peak Wave Length (nm)
		Min	Max	Min	Typ			
Yellow	Yellow Diffused	1.7	2.8	3.0	6.0	116	20	585
Green	Green Diffused	1.7	2.8	3.5	6.0	116	30	565



ORDER INFORMATION

