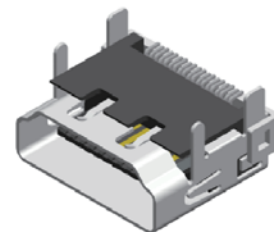
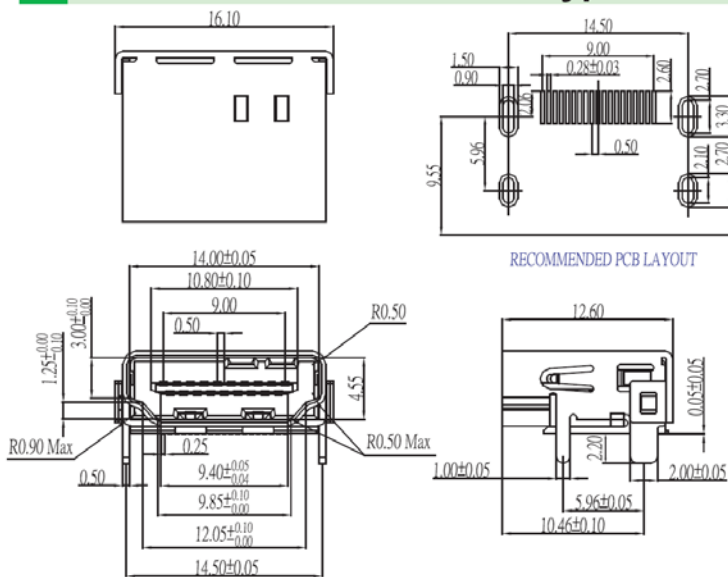


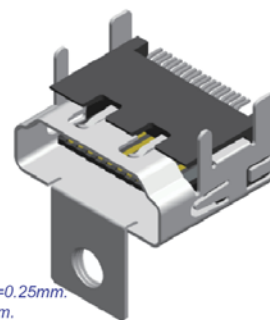
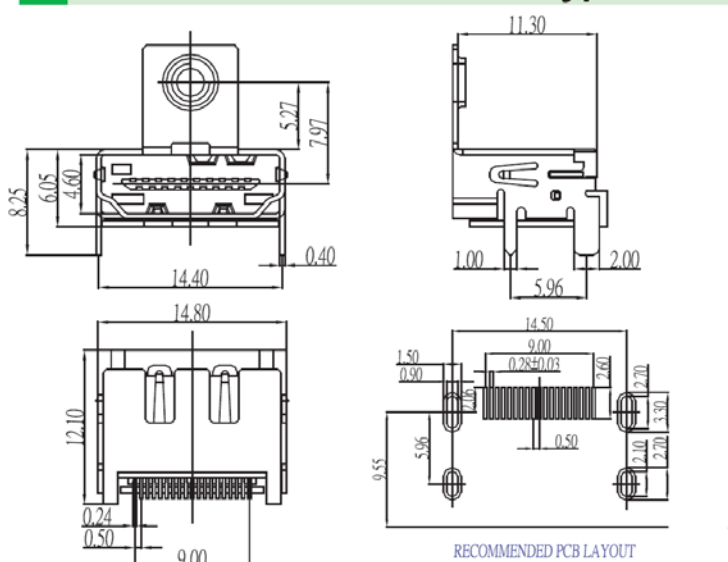
## HDMI Female 19 Pin SMT Type



- Material:**
- 1.1 Housing: L.C.P. color:black.
  - 1.2 Contact: Phosphor bronze T=0.25mm.
  - 1.3 Shell: Copper alloy T=0.50mm.
- Specification:**
- 2.1 Current rating: 0.5 A Max.
  - 2.2 Voltage rating: 40 V AC(rms) Max.
  - 2.3 Contact resistance: 50 milliohms Max.
  - 2.4 Dielectric withstanding voltage: 100 V(ac) for 1 min.
  - 2.5 Insulation resistance: 1000 MW Min.
  - 2.6 Operation temperature range: -25°C~85°C

**Part No.: HDMIM-F19 SB BA-U**  
Selective 10u"

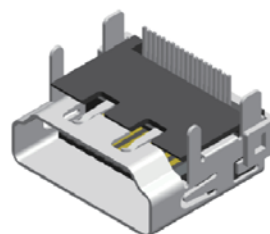
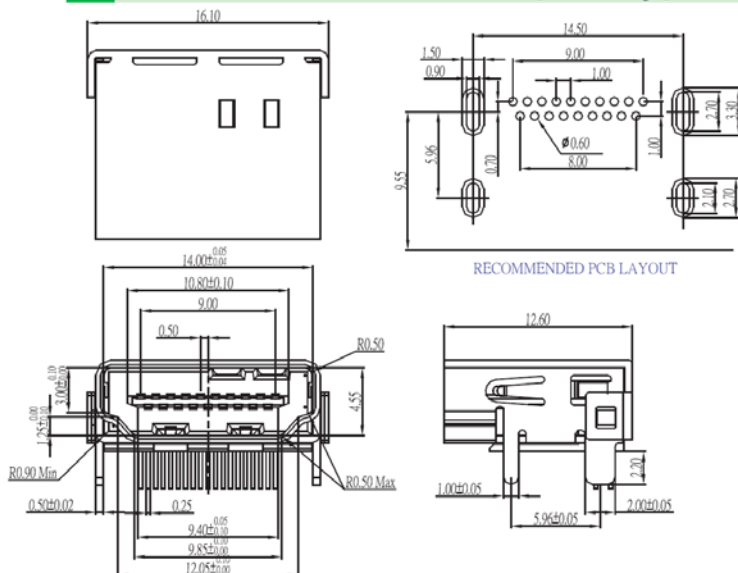
## HDMI Female 19 Pin SMT Type With Flag



- Material:**
- 1.1 Housing: L.C.P. color:black.
  - 1.2 Contact: Phosphor bronze T=0.25mm.
  - 1.3 Shell: Copper alloy T=0.50mm.
- Specification:**
- 2.1 Current rating: 0.5 A Max.
  - 2.2 Voltage rating: 40 V AC(rms) Max.
  - 2.3 Contact resistance: 50 milliohms Max.
  - 2.4 Dielectric withstanding voltage: 100 V(ac) for 1 min.
  - 2.5 Insulation resistance: 1000 MW Min.
  - 2.6 Operation temperature range: -25°C~85°C

**Part No.: HDMIM-F19 SB BB-U**  
Selective 10u"

## HDMI Female 19 Pin Dip 90° Type



- Material:**
- 1.1 Housing: L.C.P. color:black.
  - 1.2 Contact: Phosphor bronze T=0.25mm.
  - 1.3 Shell: Copper alloy T=0.50mm.
- Specification:**
- 2.1 Current rating: 0.5 A Max.
  - 2.2 Voltage rating: 40 V AC(rms) Max.
  - 2.3 Contact resistance: 50 milliohms Max.
  - 2.4 Dielectric withstanding voltage: 100 V(ac) for 1 min.
  - 2.5 Insulation resistance: 1000 MW Min.
  - 2.6 Operation temperature range: -25°C~85°C

**Part No.: HDMIR-F19 SB B-U**  
Selective 10u"