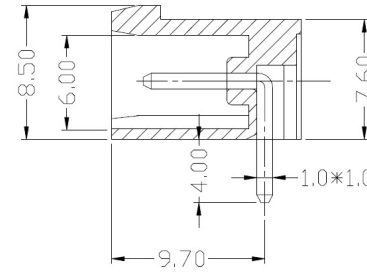
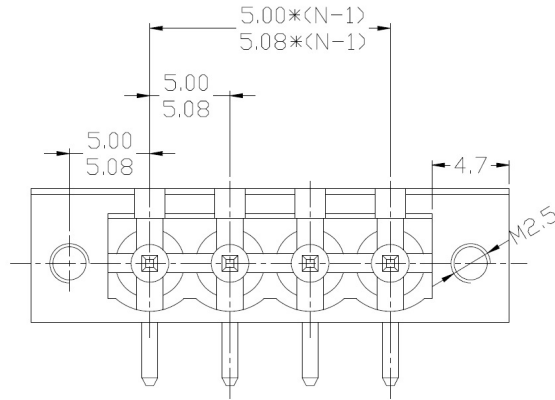
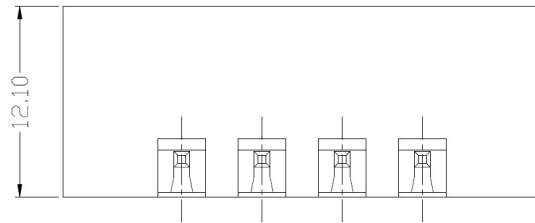


REV.	DESCRIPTION	DRAWN	CHECKED	APPROVED



·MATERIAL
PIN HEADER : BRASS, TIN PLATED
HOUSING : PA66, UL94V-0
·ELECTRICAL
RATED VOLTAGE : 300V
RATED CURRENT : 15A
CONTACT RESISTANCE : 20mΩ
INSULATION RESISTANCE : 5000MΩ/1000V
WITHSTANDING VOLTAGE : AC1500V/1Min
·MECHANICAL
TEMP.RANGE : -40°C ~ +105°C
MAX SOLDERING : +250°C, FOR 5 SEC.



PRODUCT NUMBER CODE :

KF222R - 5.00/5.08mm - XX P
 XX = Number of pole

GENERAL TOLERANCE	ANGLE TOLERANCE	PROJECTION		TITLE
X. ±0.60	X. ±5°	UNITS	mm	F222R-5.00/5.08mm
.X ±0.38	.X ±3°	SHEET SIZE	A4	SERIES KF222R
.XX ±0.25	.XX ±2°	 Toptek s.r.l. www.toptek-co.com		
DRAWING TYPE	COMPONENTS			
SCALE	1:1 SHEET 1 OF 1			
DRAWING NO.				