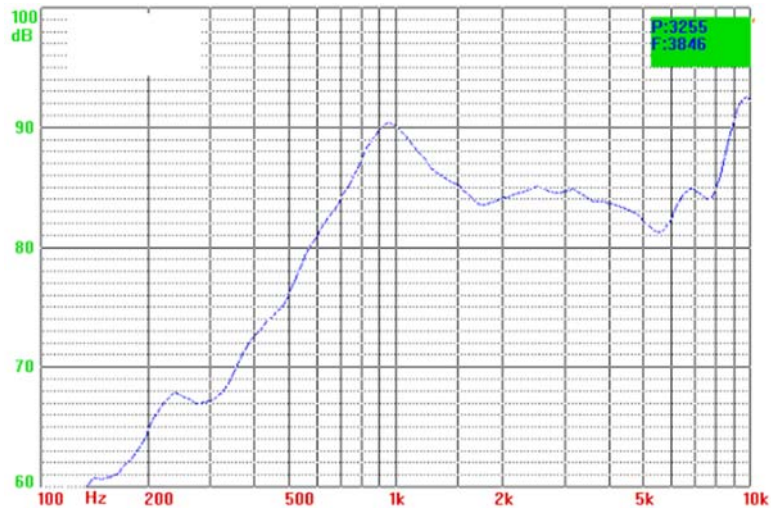
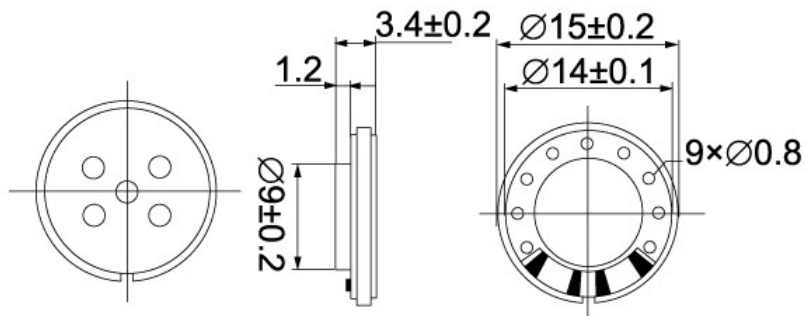


Model NO.: P15N-01  
 Size: 15\*3.9mm  
 Nominal Power: 0.6w  
 Maximum power: 1.0w  
 Impedance:  $\text{ohm} \pm 15\% \Omega$   
 S.P.L:  $89 \pm 3 \text{dB/W/M}$



1	Model No.	P15N-01
2	Cone Material:	
3	Edge:	

---

4	Nominal Power:	0.6w
5	Maximum Power:	1.0w
6	Impedance:	ohm±15%Ω
7	Voice coil:	
8	Fo:	850hz
9	Response:	Fo-20kHz
10	S.P.L:	89±3dB/W/M
11	Magnet Size:	NdFeB

---