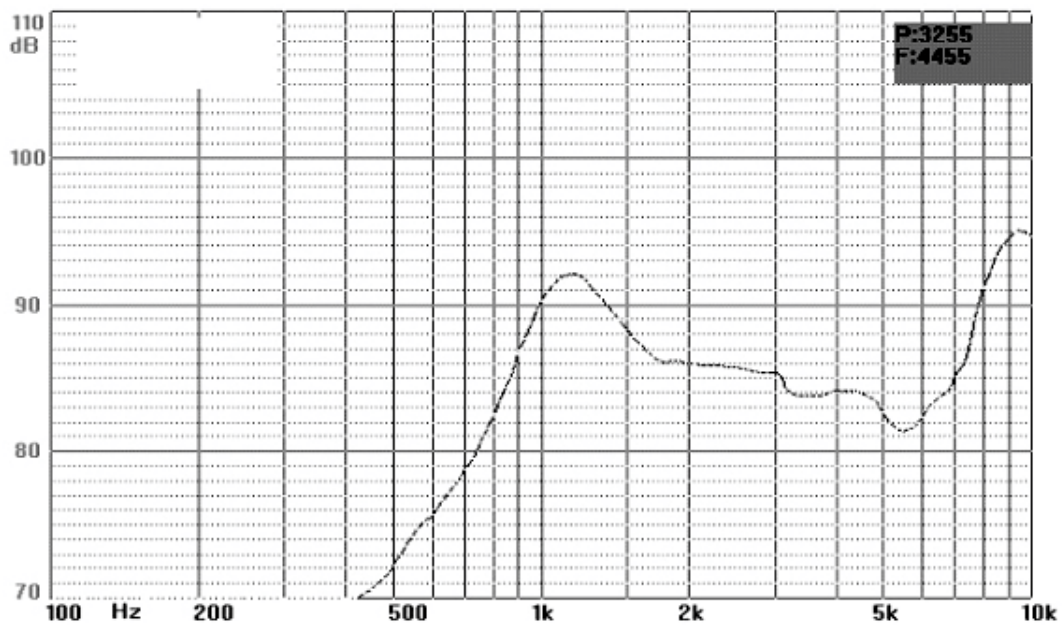
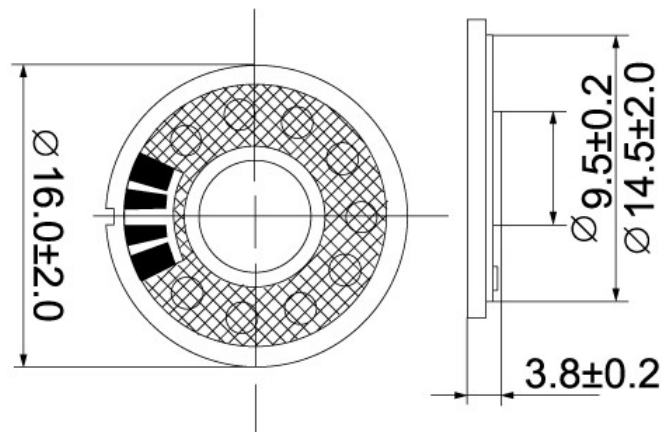




Model No.: P18N-01
 Size: 18*4.2mm
 Nominal Power: 0.5w
 Maximum power: 1.2w
 Impedance: $\text{ohm} \pm 15\%$
 S.P.L: $90 \pm 3\text{dB} / 0.1\text{W} / 0.1$



.	Model No.	P18N-01
2	Cone Material:	
3	Edge:	
4	Nominal Power:	0.5w
5	Maximum Power:	1.2w
6	Impedance:	ohm±15%Ω
7	Voice coil:	
8	Fo:	950hz
9	Response:	Fo-20kHz
10	S.P.L:	92±3dB/W/M
11	Magnet Size:	NdFeB
