

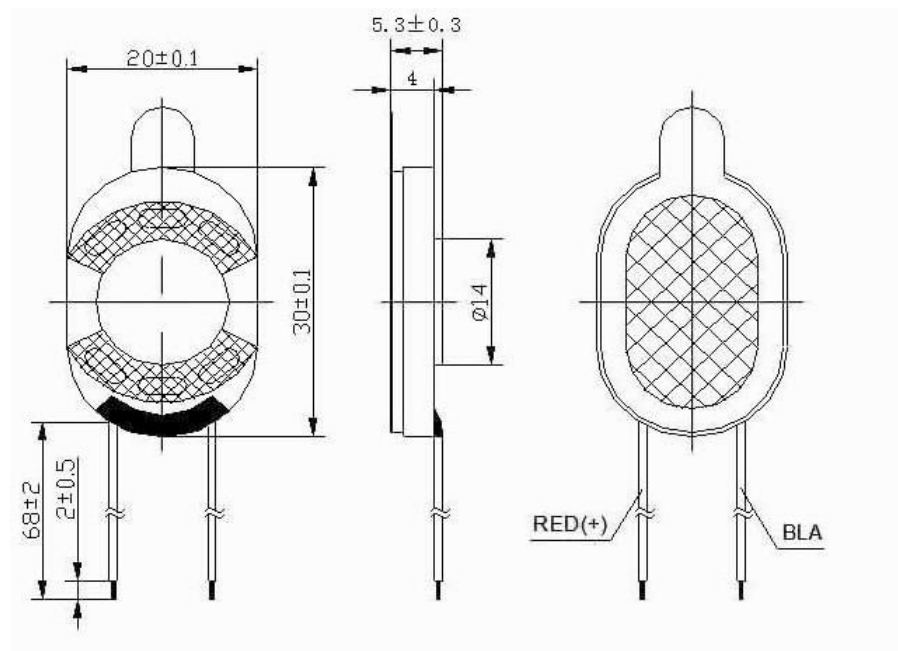
Model No.: P2030N-W
Size: 20*30*5.3mm

Nominal Power: 0.8w

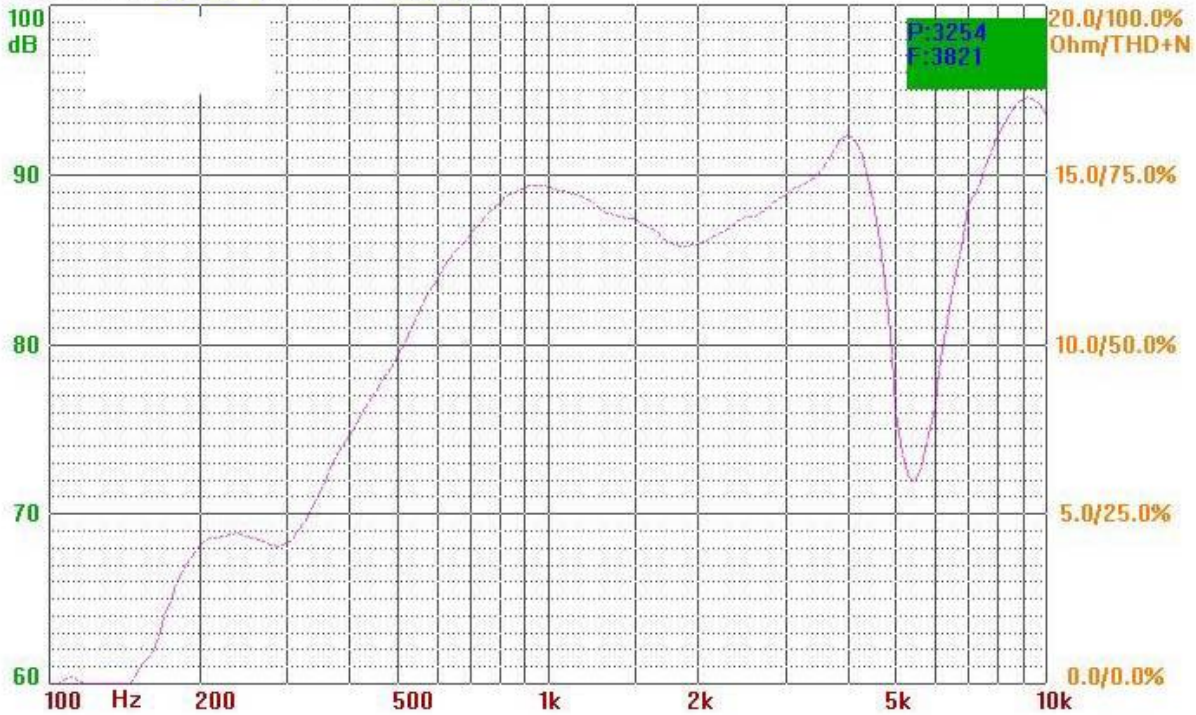
Maximum power: 1.2w

Impedance: $\text{ohm} \pm 15\%$

S.P.L: $89 \pm 3\text{dB}$



Sen(1000Hz): **89.24** dB Aver: **79.78** dB



1/24 | NoName | 894mV | 320mm(0.1W) | 0dB | 20uPa

1000Hz:89.24dB 100Hz:58.85dB 200Hz:68.23dB 500Hz:79.47dB 5000Hz:76.07dB 8000Hz:92.31dB
 Aver:79.78dB
 F0: 2754Hz [Imp:7120.4Ω]

1	Model No.	P2030N-W
2	Cone Material:	
3	Edge:	
4	Nominal Power:	0.8w
5	Maximum Power:	1.2w
6	Impedance:	ohm±15%Ω
7	Voice coil:	
8	Fo:	750hz
9	Response:	Fo-20kHz
10	S.P.L:	89±3dB/W/M
11	Magnet Size: NdFeB	7.9*1.4mm