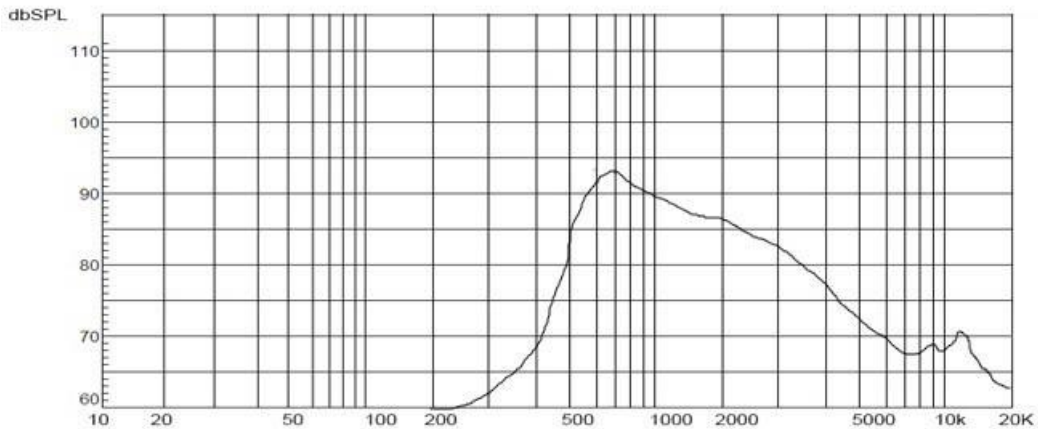
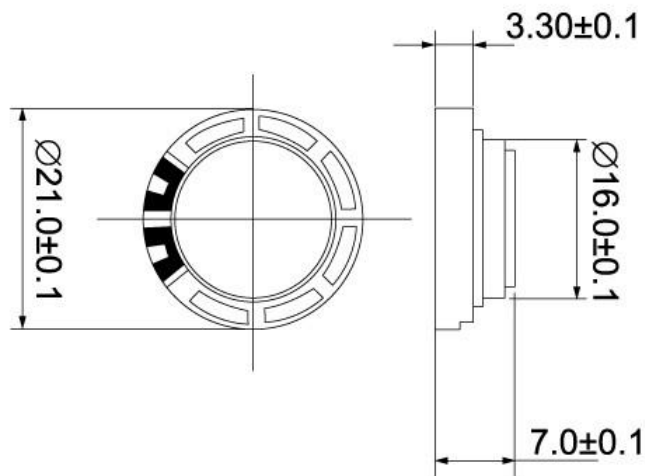


Model No.:P21W-A
 Nominal Power : 0.25W
 Maximum Power : 0.5W
 Impedance:ohm±15%Ω
 S.P.L:87±3dB



.	Model No.	P21W-A
2	Diaphragm	
3	Frame	
4	Nominal Power:	0.25W
5	Maximum Power:	0.5W
6	Impedance:	ohm±15%Ω
7	Voice coil:	
8	Fo:	700 HZ
9	Response:	Fo-20kHz
10	S.P.L	87±3dB/0.1W/0.1
11	Magnet Size: Ferrit	
