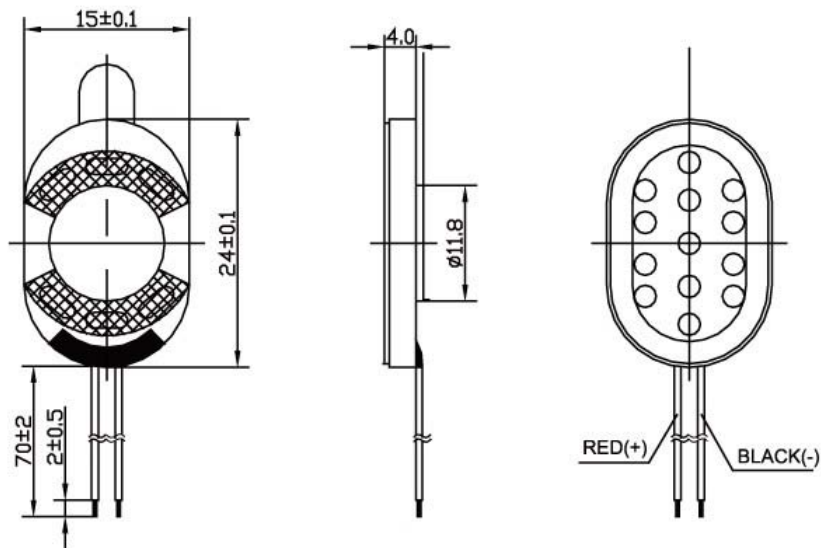
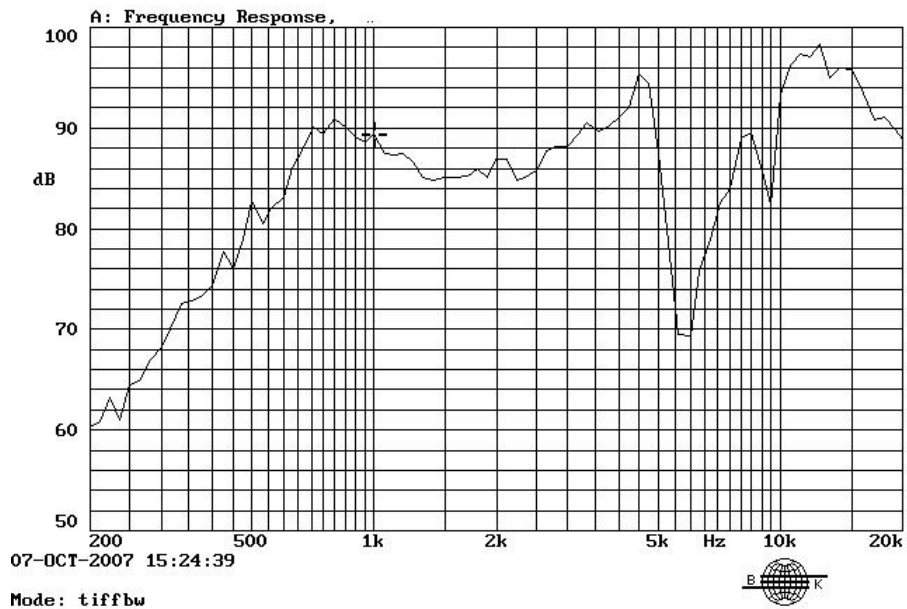




Model No.: P2415N-A

Size: 24*15*4.0mm
Nominal Power: 0.8w
Maximum power: 1.2w
Impedance: $\text{ohm} \pm 15\% \Omega$
S.P.L: $89 \pm 3\text{dB}$





.	Model No.	P2415N-A
2	Cone Material:	
3	Edge:	
4	Nominal Power:	0.8w
5	Maximum Power:	1.2w
6	Impedance:	ohm±15%Ω
7	Voice coil:	
8	Fo:	900hz
9	Response:	Fo-20kHz
10	S.P.L:	89±3dB/W/M
11	Magnet Size: NdFeB	7.9*1.2mm
