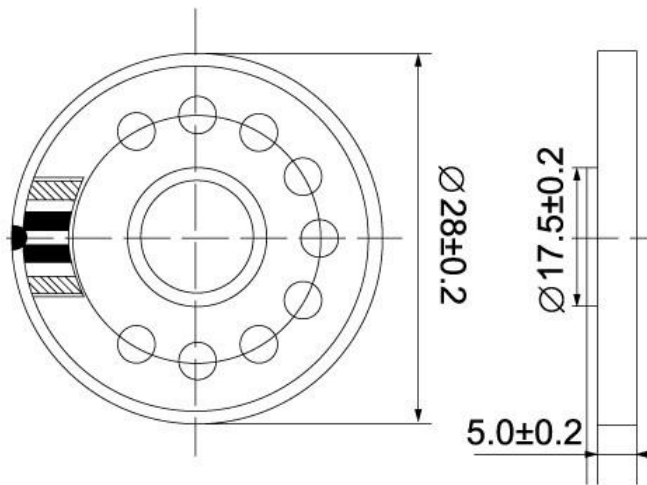
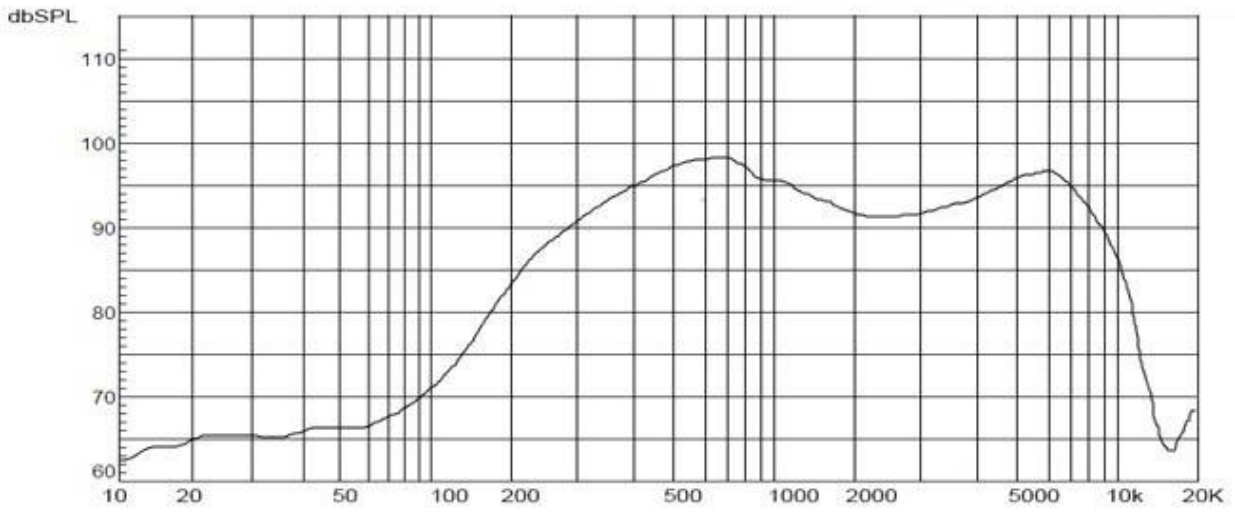


Model No.:P28N-A  
size:28\*5.0mm  
magnet:17.5mm  
RMS:0.25W  
max power:0.5W  
S.P.L: 92±3dB





1	Model No.	P28N-A
2	Cone Material:	Mylay
3	Edge:	Paper
4	Nominal Power:	0.5w
5	Maximum Power:	1.0w
6	Impedance:	ohm±15%Ω
7	Voice coil:	
8	Fo:	550hz
9	Response:	Fo-6kHz
10	S.P.L:	92±3dB/W/M
11	Magnet Size:	