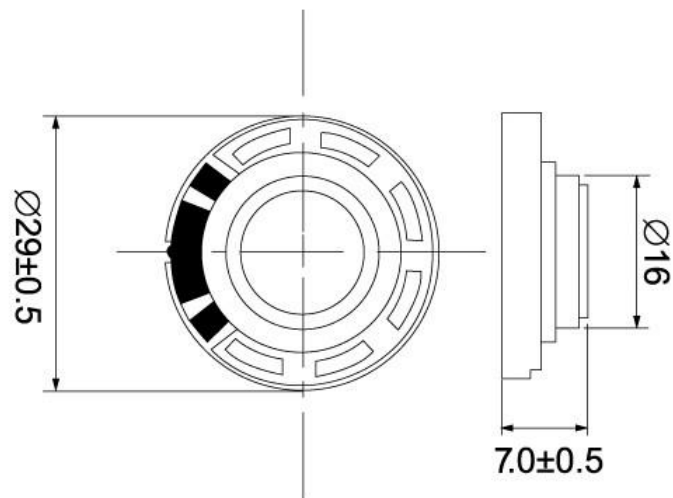
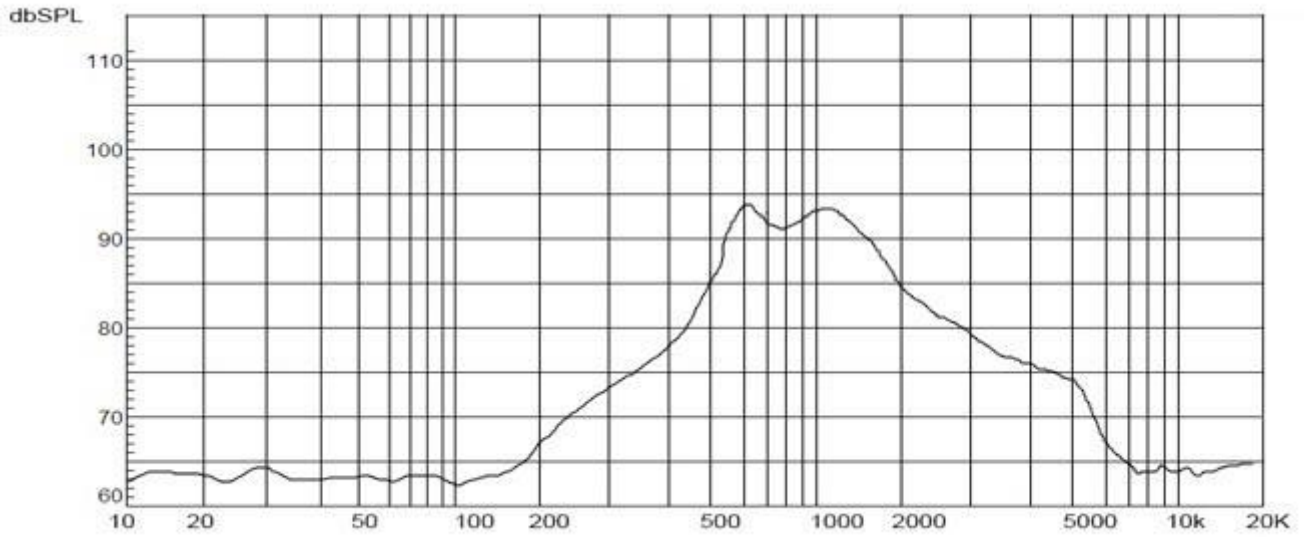


Model No.:P29W-A
size:29*7.0mm
magnet:17mm
RMS:0.25W
max power:0.5W
S.P.L:90±3dB





1	Model No.	P29W-A
2	Cone Material:	Mylar
3	Edge:	
4	Nominal Power:	0.25w
5	Maximum Power:	0.5w
6	Impedance:	ohm±15%Ω
7	Voice coil:	
8	Fo:	600hz
9	Response:	Fo-6kHz
10	S.P.L:	90±3dB/W/M
11	Magnet Size:	Ferrit