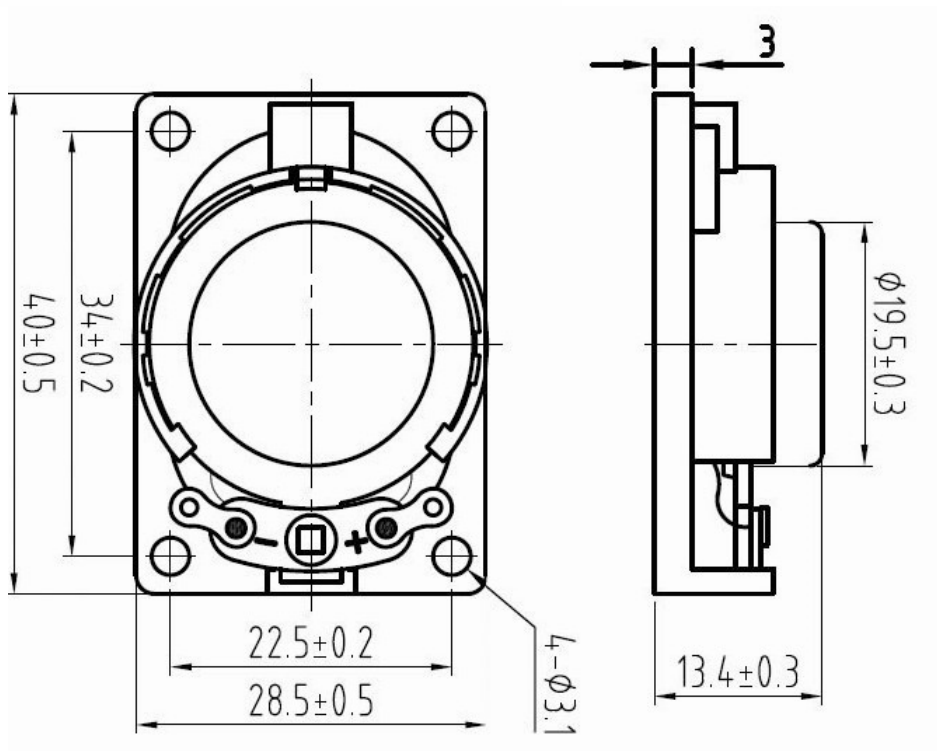
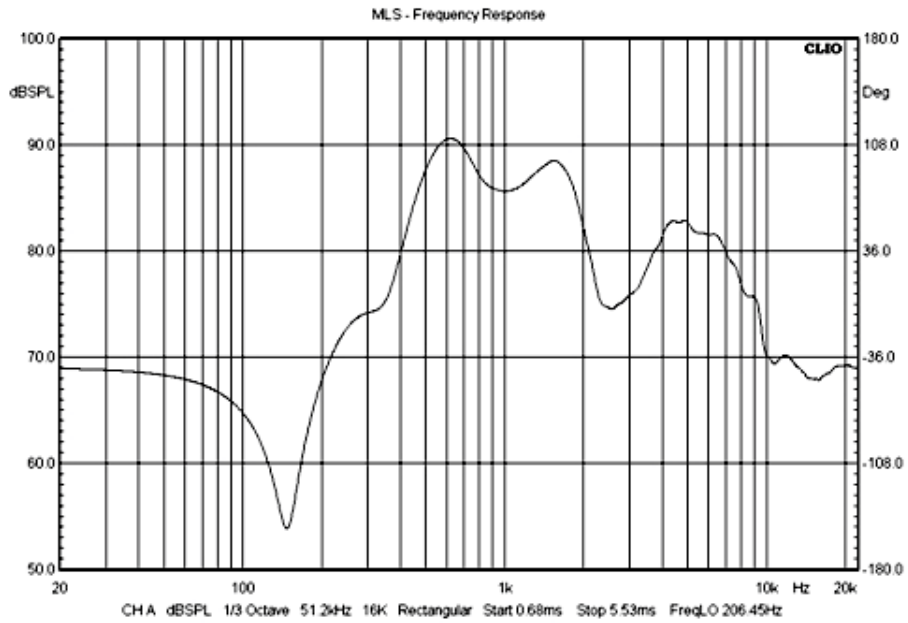


Model No.: P4028N-A
Size: 40*28.5*13.5mm
Nominal Power: 1.5w
Maximum power: 2.5w
Impedance: $\text{ohm} \pm 15\% \Omega$
S.P.L: $86 \pm 3\text{dB}$





1	Model No.	P4028N-A
2	Cone Material:	Cloth
3	Edge:	Cloth
4	Nominal Power:	1.5w
5	Maximum Power:	2.5w
6	Impedance:	ohm±15%Ω
7	Voice coil:	
8	Fo:	450hz
9	Response:	Fo-20kHz
10	S.P.L:	86±3dB/W/M
11	Magnet Size: NdFeB	12.5*2.0
