

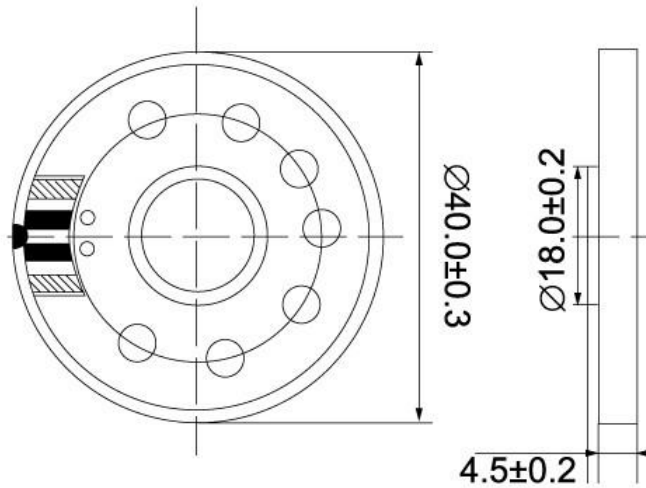
Model No.: P40N-E
Size: 40*4.5mm

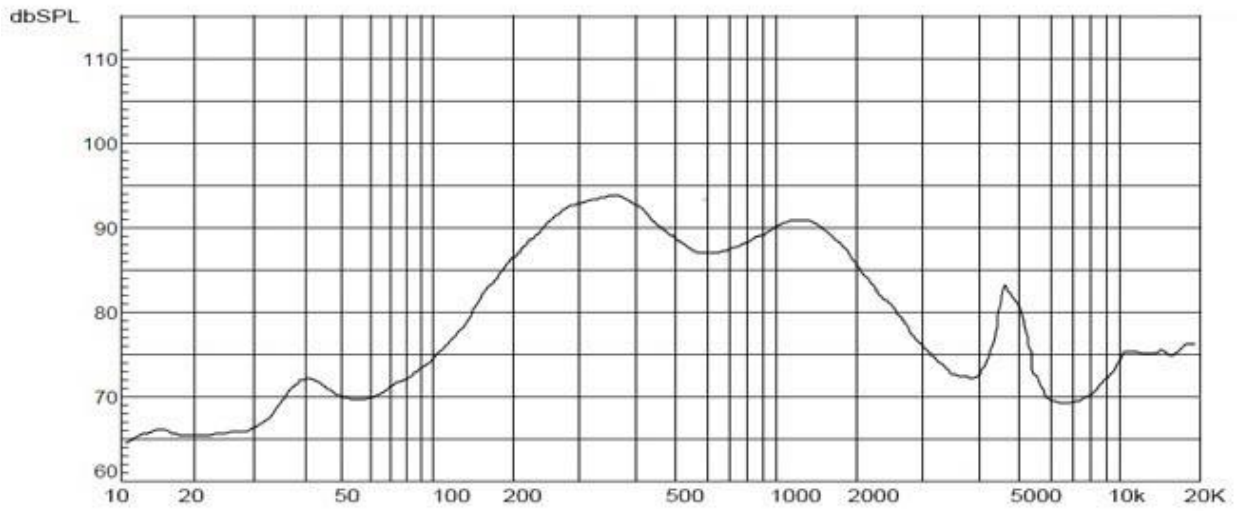
Nominal Power: 0.8w

Maximum power: 1.0w

Impedance: $\text{ohm} \pm 15\% \Omega$

S.P.L: $85 \pm 3\text{dB}$





1	Model No.	P40N-E
2	Cone Material:	Mylay
3	Edge:	
4	Nominal Power:	0.8w
5	Maximum Power:	1.0w
6	Impedance:	ohm±15%Ω
7	Voice coil:	
8	Fo:	300hz
9	Response:	Fo-20kHz
10	S.P.L:	85±3dB/W/M
11	Magnet Size:	NdFeB