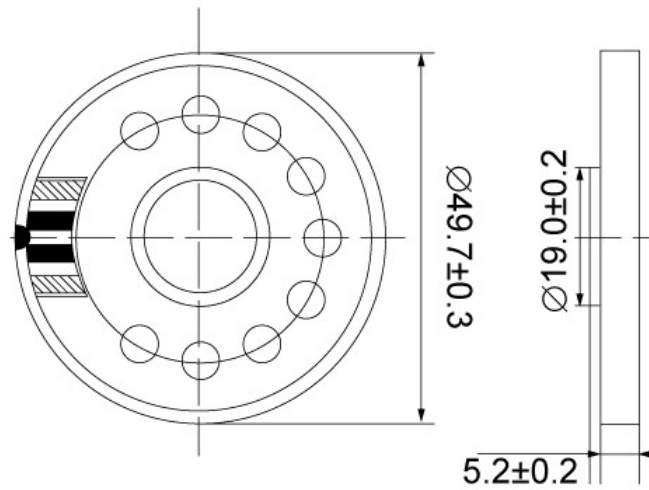
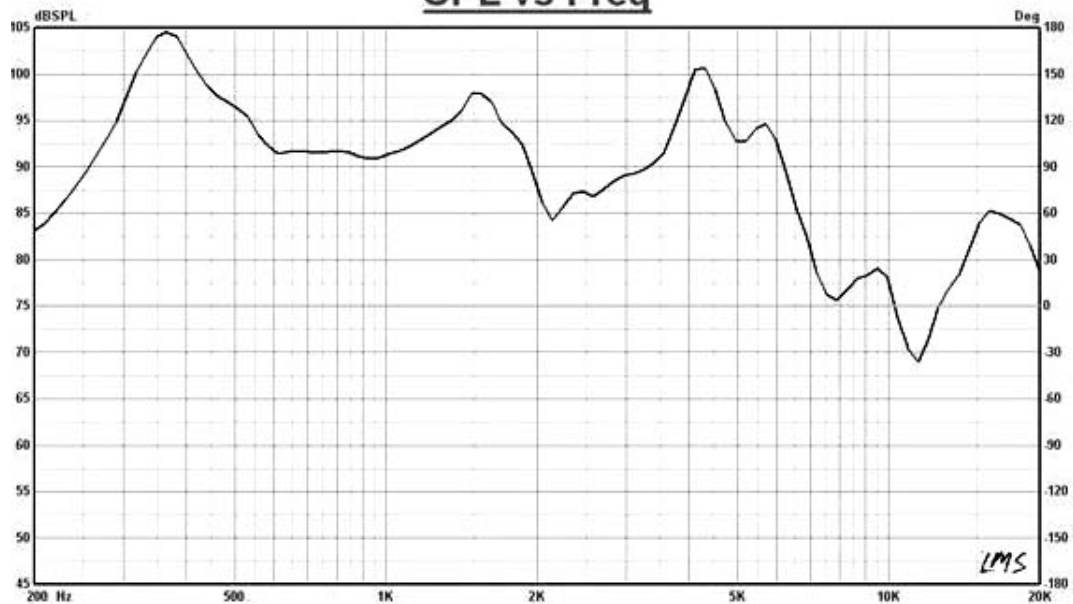


MODEL NO.:P50N-A

size:50*5.2mm
 magnet:19mm
 RMS:0.25W
 max power:0.5W



SPL vs Freq



.	Model No.	P50N-A
2	Cone Material:	Mylay
3	Edge:	
4	Nominal Power:	0.8w
5	Maximum Power:	1.0w
6	Impedance:	ohm±15%Ω
7	Voice coil:	
8	Fo:	380hz
9	Response:	Fo-20kHz
10	S.P.L:	90±3dB/W/M
11	Magnet Size:	NdFeB
