

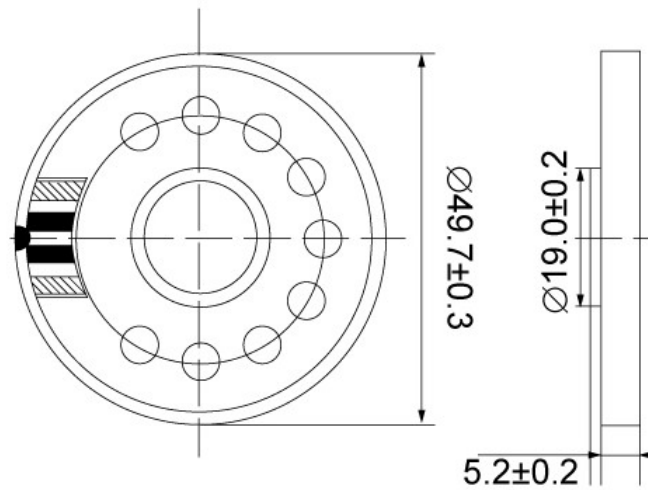
MODEL NO.: P50N-B

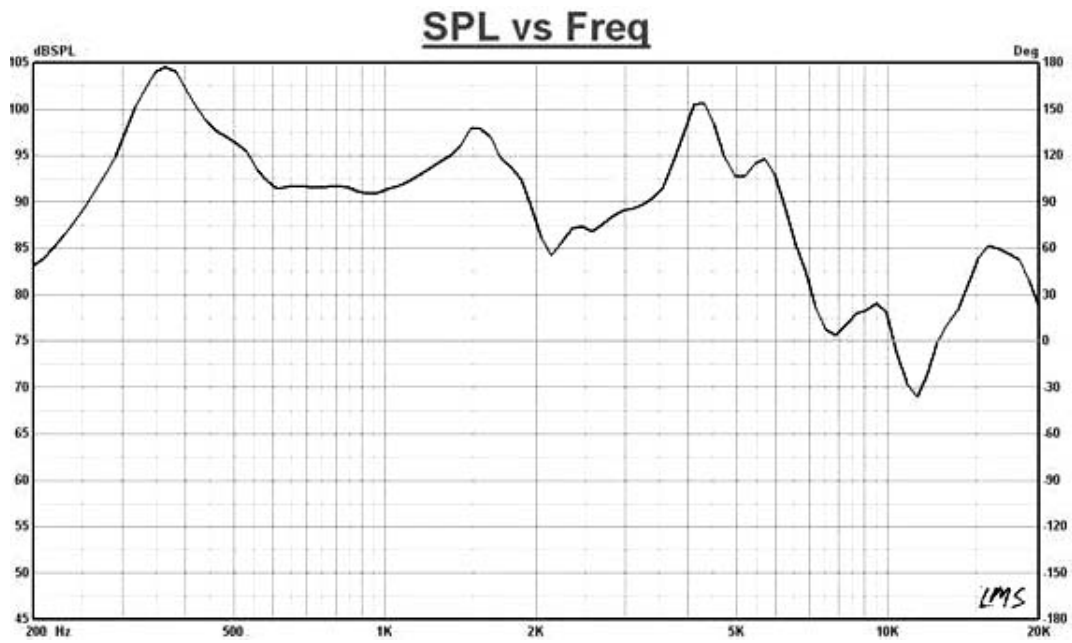
Nominal Power: 0.8w

Maximum power: 1.0w

Impedance: ohm±15%Ω

Fo: 380hz





1	Model No.	P50N-B
<hr/>		
2	Cone Material:	Mylar
3	Edge:	
4	Nominal Power:	0.8w
5	Maximum Power:	1.0w
6	Impedance:	ohm±15%Ω
7	Voice coil:	
8	Fo:	380hz
9	Response:	Fo-20kHz
10	S.P.L.:	90±3dB/W/M
11	Magnet Size:	NdFeB
