

PIN HEADER 2.54

Pin Header 2.54mm 1 Row H=2.5/1.7/1.5mm Stack Straight Type

TOPTTEK®

HARDWARE ELECTRONIC COMPONENTS



www.toptek-co.com

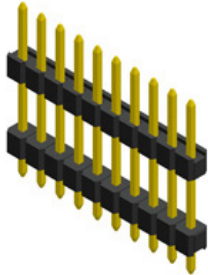


Specifications

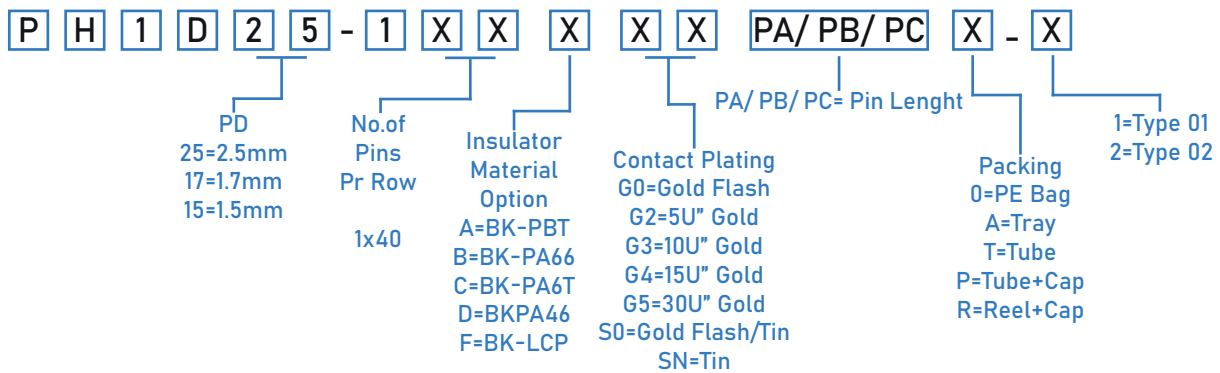
Current Rate: 3 AMP | Insulation Resistance: 1000MΩ | Min. Contact Resistance: 20mΩ |
Max. Dielectric Voltage: 1000V AC for one minute | Operation Temperature: -40°C to +105°C

Material

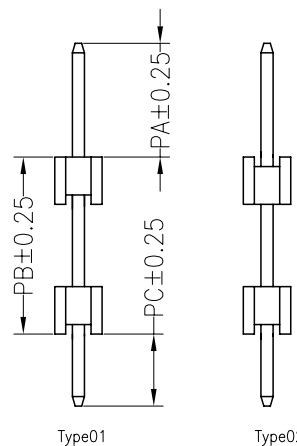
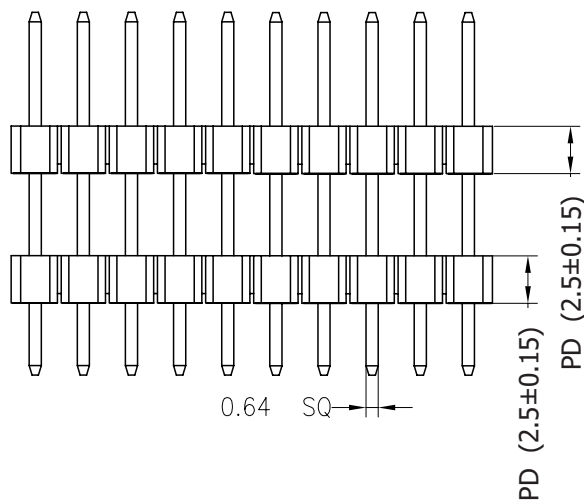
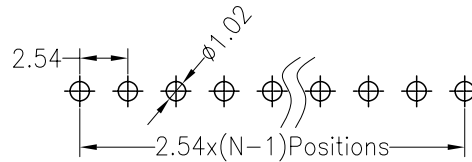
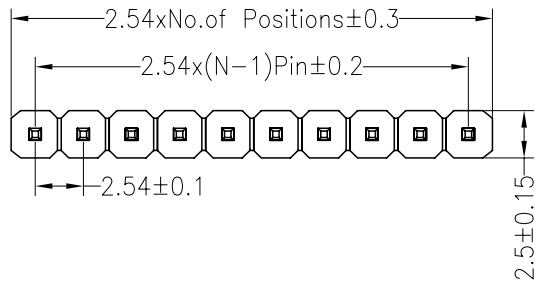
Insulator: Hi-Temp. Thermoplastic, UL 94V-0 | Terminal: Copper Alloy | Plating: Gold Plated



ORDER INFORMATION



Recommended P.C.B Layout (Top Side)
(PCB BOARD TOLERANCE ±0.05)



PD
2.50mm
1.70mm
1.50mm

ITEM	PA	PB	PC
Standard	6.00	XX	3.00

Alternate