

# PIN HEADER 2.54

Pin Header 2.54mm 2 Row H=7.4mm Right Angle Type

**TOPTTEK®**

HARDWARE ELECTRONIC COMPONENTS



www.toptek-co.com



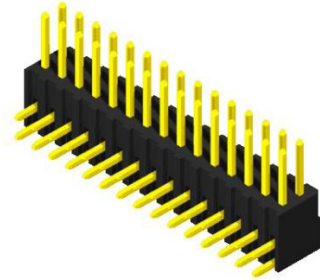
RoHS 2002/95/EC

## Specifications

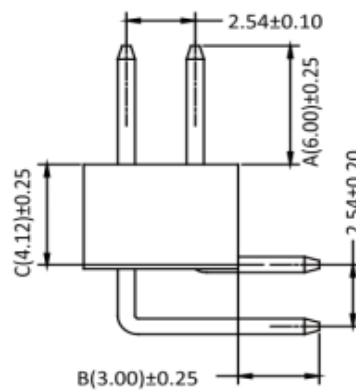
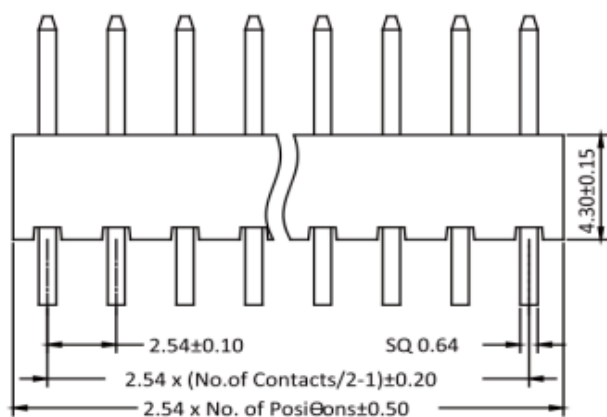
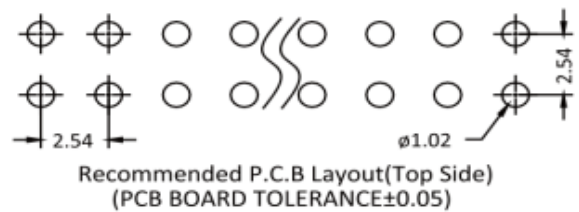
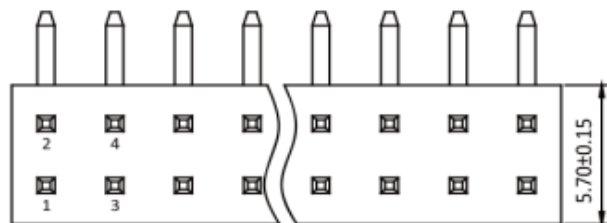
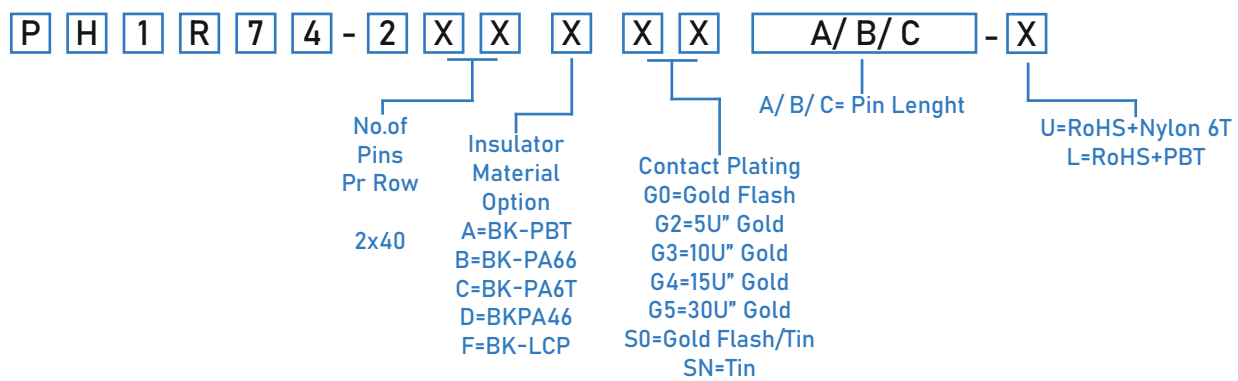
Current Rate: 3 AMP | Insulation Resistance: 1000MΩ | Min. Contact Resistance: 20mΩ | Max. Dielectric Voltage: 1000V AC for one minute | Operation Temperature: -40°C to +105°C

## Material

Insulator: Hi-Temp. Thermoplastic, UL 94V-0 | Terminal: Copper Alloy | Plating: Gold Plated



## ORDER INFORMATION



ITEM	A	B	C
Standard	6.00	3.00	4.12
Alternate			