

PIN HEADER 2.0mm

Pin Header 2.54mm 1 Row H=1.5/2.0mm SMT Type

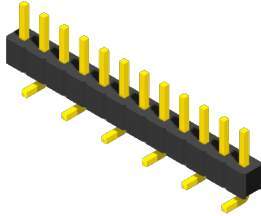


Specifications

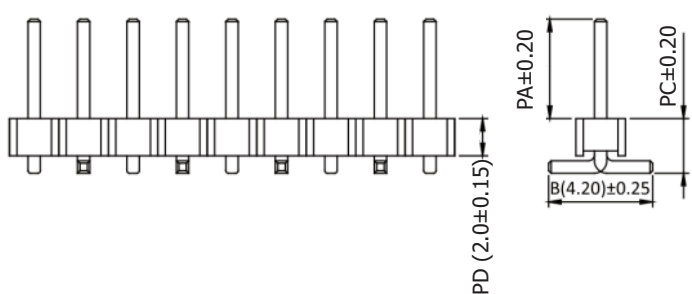
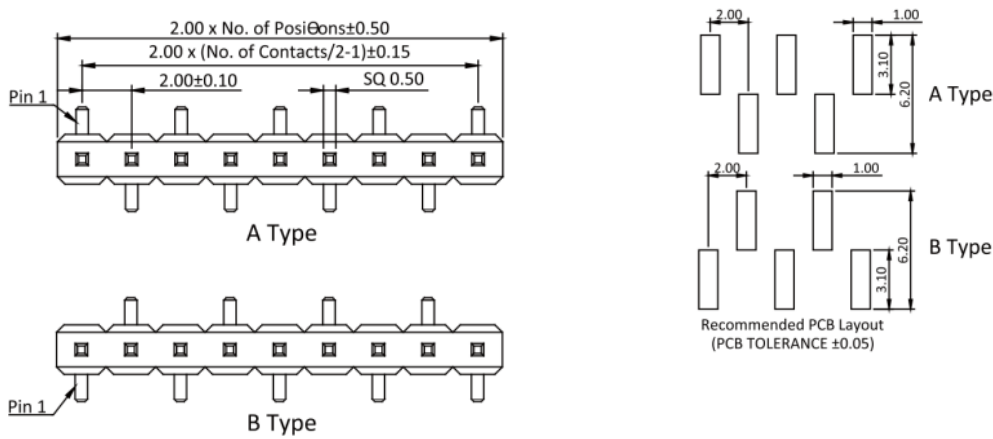
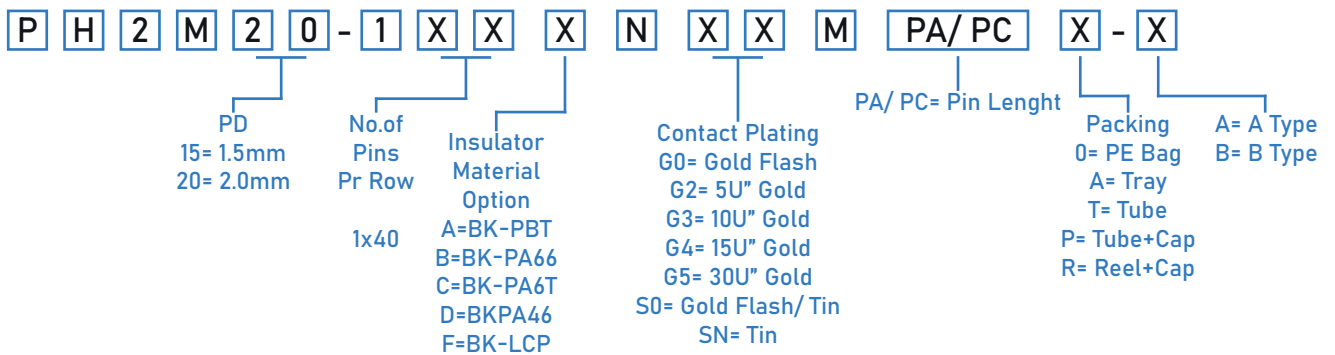
Current Rate: 2 AMP | Insulation Resistance: 1000MΩ | Min. Contact Resistance: 20mΩ |
 Max. Dielectric Voltage: 500V AC for one minute | Operation Temperature: -40°C to +105°C

Material

Insulator: Polyester, UL 94V-0 | Standard: Nylon 6T | Terminal: Copper Alloy | Plating: Gold Plated



ORDER INFORMATION



PD	PA
1.50mm	3.00mm
2.00mm	4.00mm

ITEM	PA	PC
Standard	4.00	2.20
Alternate		