

PIN HEADER 1.27x2.54mm

Pin Header 1.27mm 2 Row H=0.85/1.0/1.5/1.7/2.0/2.5mm Stack Straight Type

TOPTTEK®

HARDWARE ELECTRONIC COMPONENTS



www.toptek-co.com



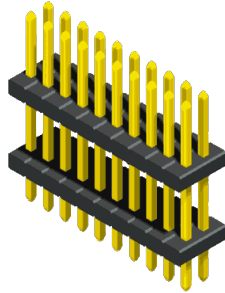
RoHS 2002/95/EC

Specifications

Current Rate: 1 AMP | Insulation Resistance: 1000MΩ | Max. Contact Resistance: 20mΩ |
Max. Dielectric Voltage: 500V AC for one minute | Operation Temperature: -40°C to +105°C

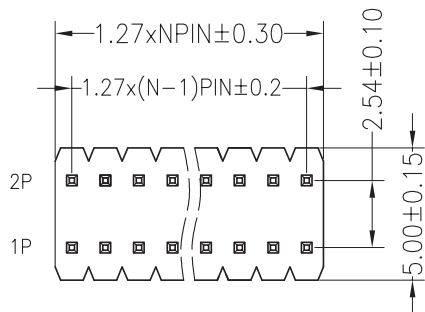
Material

Insulator: Polyester, UL 94V-0 | Standard: Nylon 6T | Terminal: Copper Alloy | Plating: Gold Plated

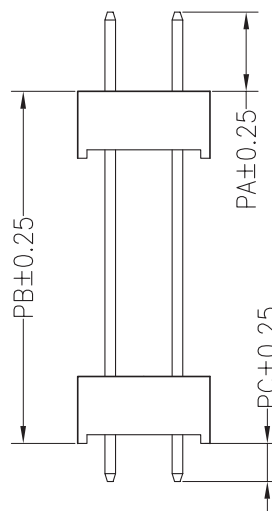
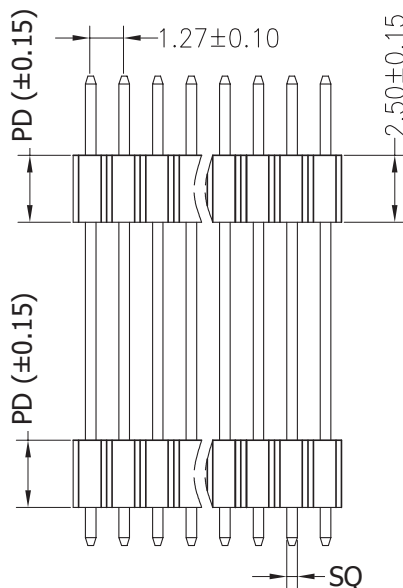
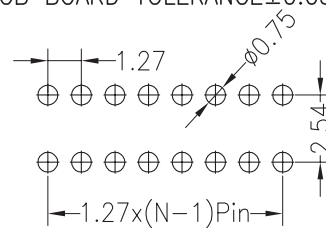


ORDER INFORMATION

P	H	X	D	2	5	-	2	X	X	C	N	G	0	S	PA/PB/PC	X
SQ.		PD		No. of Pins Pr Row		Insulator Material Option		N= W/O Post		Contact Plating		PA/PB/PC= Pin Length		Packing		
3= PIN 0.40 4= PIN 0.46		08= 0.85mm 10= 1.0mm 15= 1.5mm 17= 1.7mm 20= 2.0mm 25= 2.5mm		2x40		A= BK-PBT B= BK-PA66 C= BK-PA6T D= BKPA46 F= BK-LCP				G0= Gold Flash G2= 5U" Gold G3= 10U" Gold G4= 15U" Gold G5= 30U" Gold S0= Gold Flash/ Tin SN= Tin				0= PE Bag A= Tray T= Tube P= Tube+Cap R= Reel+Cap		



Recommended P.C.B Layout (Top Side)
(PCB BOARD TOLERANCE ± 0.05)



PD
0.85mm
1.00mm
1.50mm
1.60mm
1.70mm
2.00mm
2.50mm

ITEM	PA	PC	PB
Standard	2.75	2.75	10.0

Alternate