

# FEMALE HEADER 2.54mm

## Female Header 2.54mm 1 Row H=5.7mm Straight Type

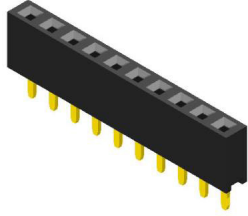


### Specifications

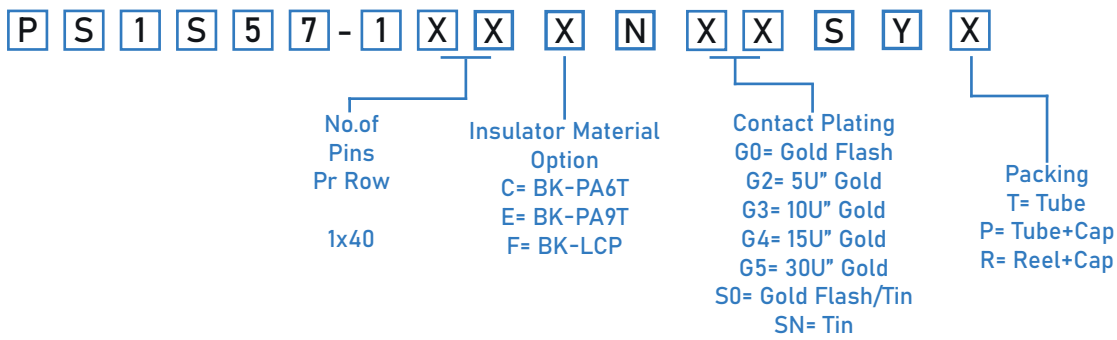
Current Rate: 3 AMP | Insulation Resistance: 1000MΩ | Min. Contact Resistance: 20mΩ |  
 Max. Dielectric Voltage: 1000V AC for one minute | Operation Temperature: -40°C to +105°C

### Material

Insulator: Polyester, UL 94V-0 | Standard: Nylon 6T | Terminal: Copper Alloy | Plating: Gold Plated



## ORDER INFORMATION



Recommended P.C.B Layout (Top Side)  
 (PCB BOARD TOLERANCE ±0.05)

