

# FEMALE HEADER 2.00mm

## Female Header 2.0mm 1 Row H=4.0/4.3/4.6 SMT Type

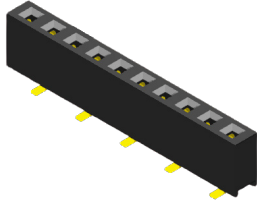


### Specifications

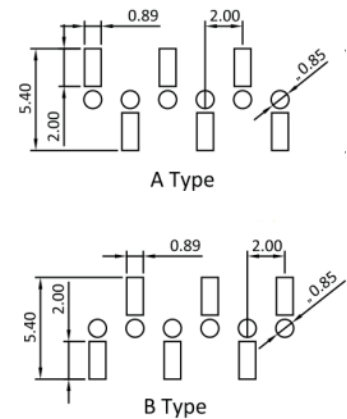
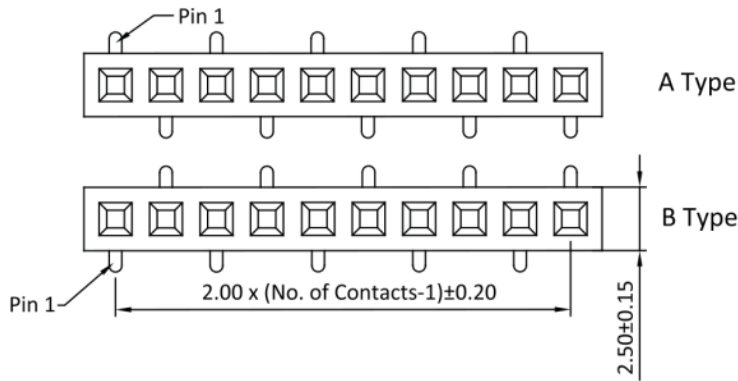
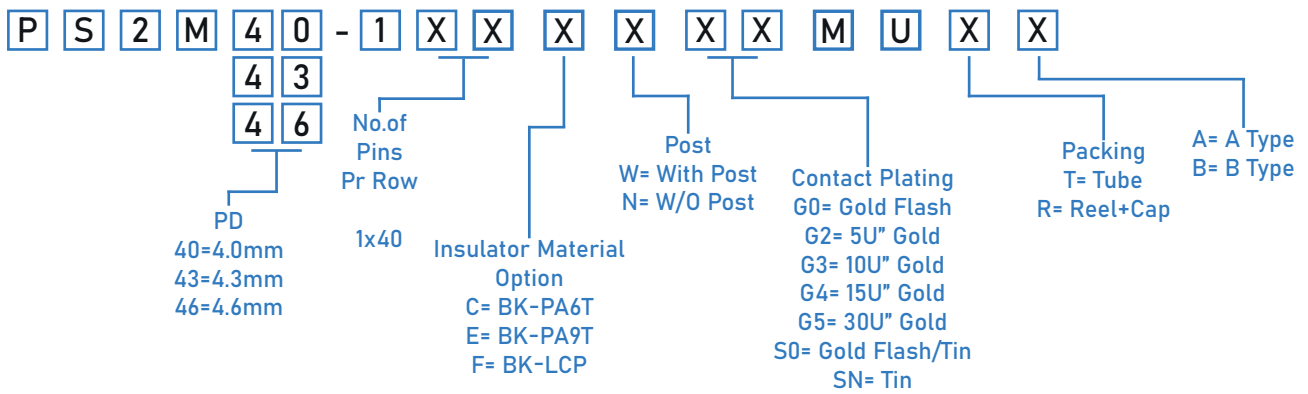
Current Rate: 2 AMP | Insulation Resistance: 1000MΩ | Min. Contact Resistance: 20mΩ |  
 Max.Dielectric Voltage: 500V AC for one minute | Operation Temperature:-40°C to +105°C

### Material

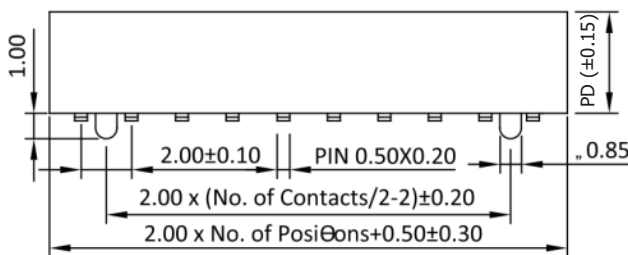
Insulator:Polyester, UL 94V-0 | Standard:PBT or nylon 6T | Terminal: Copper Alloy | Plating: Gold Plated



## ORDER INFORMATION



Recommended PCB Layout (PCB TOLERANCE ±0.05)



PD
4.00mm
4.30mm
4.60mm

