

# FEMALE HEADER 1.7mm

## Female Header 1.7mm 1 Row H=3.4/4.4mm SMT Type

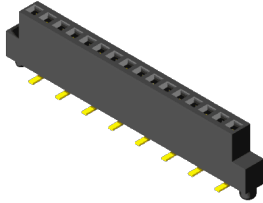


### Specifications

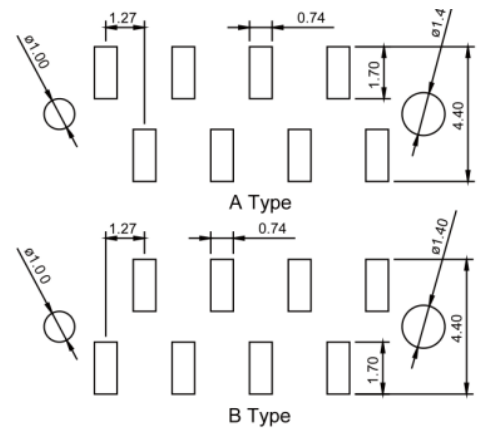
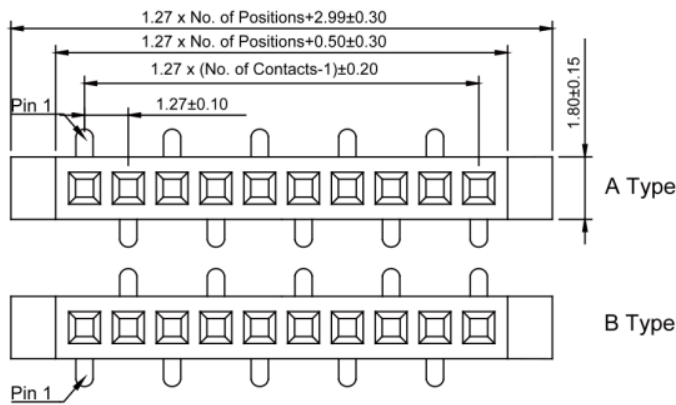
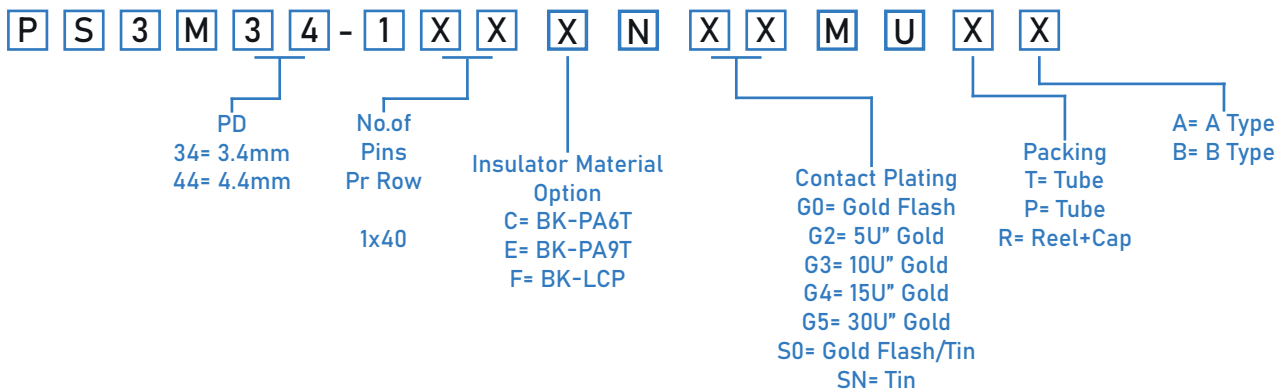
Current Rate: 1 AMP | Insulation Resistance: 1000MΩ | Min. Contact Resistance: 20mΩ |  
Max.Dielectric Voltage: 500V AC for one minute | Operation Temperature:-40°C to +105°C

### Material

Insulator:Polyester, UL 94V-0 | Standard: Nylon 6T | Terminal: Copper Alloy | Plating: Gold Plated



## ORDER INFORMATION



Recommended PCB Layout  
(PCB TOLERANCE  $\pm 0.05$ )

