

FEMALE HEADER 1.7mm

Female Header 1.7mm 2 Row H=3.4/4.4mm SMT Type

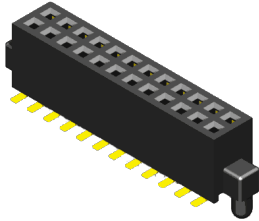


Specifications

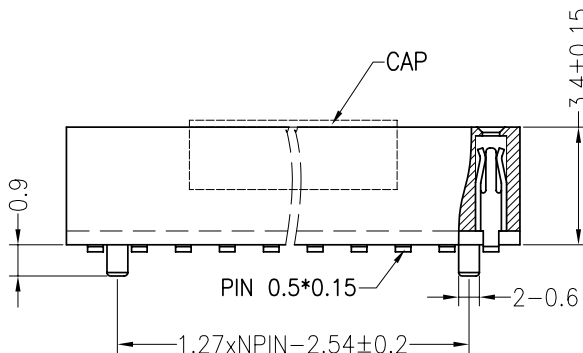
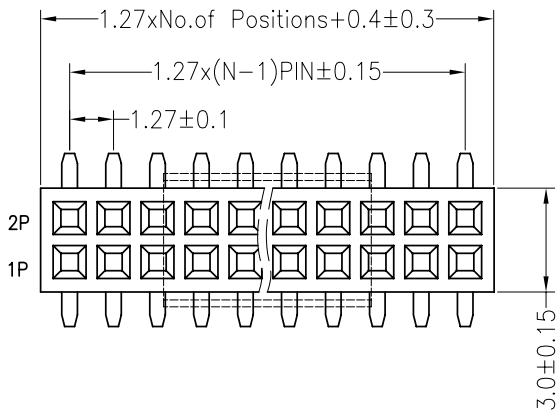
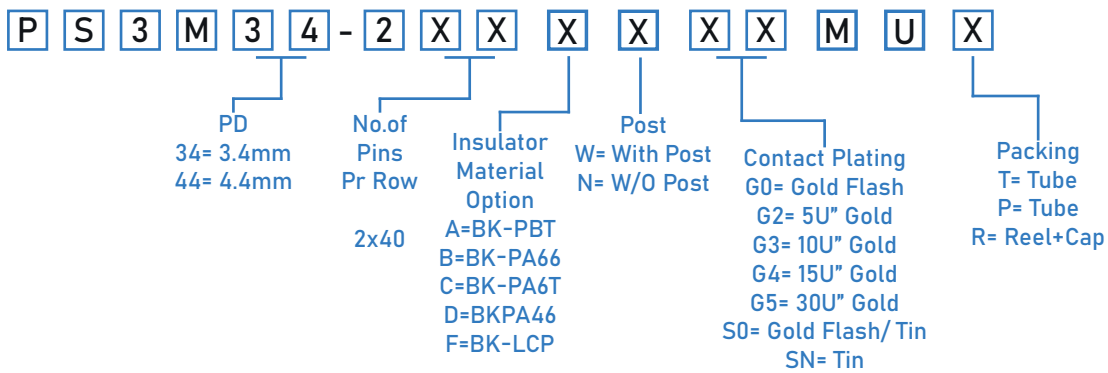
Current Rate: 1 AMP | Insulation Resistance: 1000MΩ | Min. Contact Resistance: 20mΩ |
Max.Dielectric Voltage: 500V AC for one minute | Operation Temperature:-40°C to +105°C

Material

Insulator:Polyester, UL 94V-0 | Standard: Nylon 6T | Terminal: Copper Alloy | Plating: Gold Plated



ORDER INFORMATION



Recommended P.C.B Layout(Top Side) (PCB BOARD TOLERANCE±0.05)

