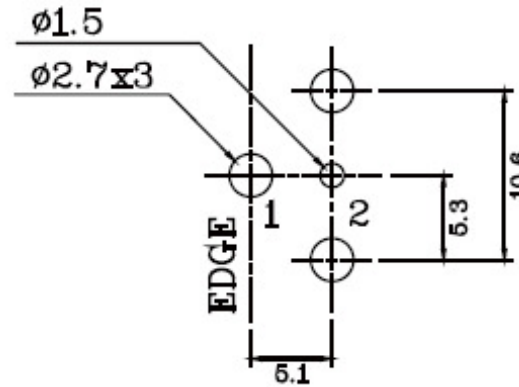
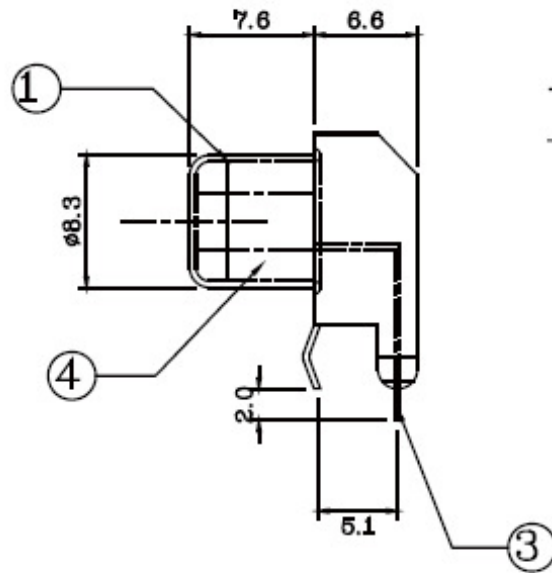
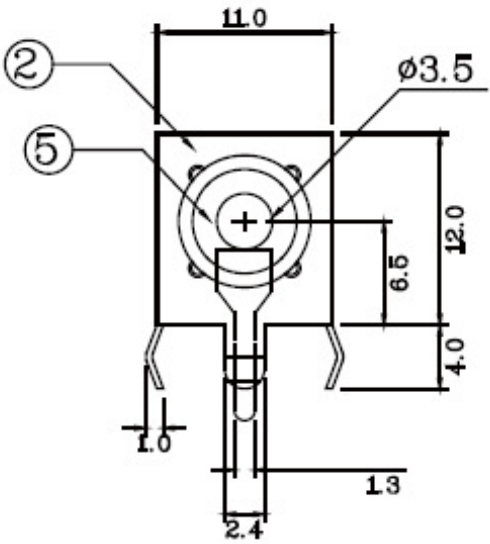
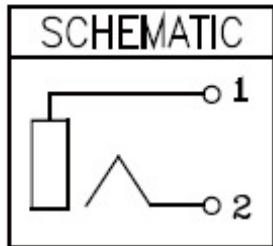


RCA Jack Conn.



Recommended PCB Layout
(PCB TOLERANCE ± 0.05)



RCA-0006-L

NO.	NAME	MATERIAL	FINISH
1	BARREL	BRASS	NICKEL PLATED
2	HOUSING	ABS	
3	SPRING TERM	PHOS. BRONZE	SILVER PLATED
4	TERMINAL	BRASS	SILVER PLATED

TOPTEK
HARDWARE ELECTRONIC COMPONENTS



www.toptek-co.com