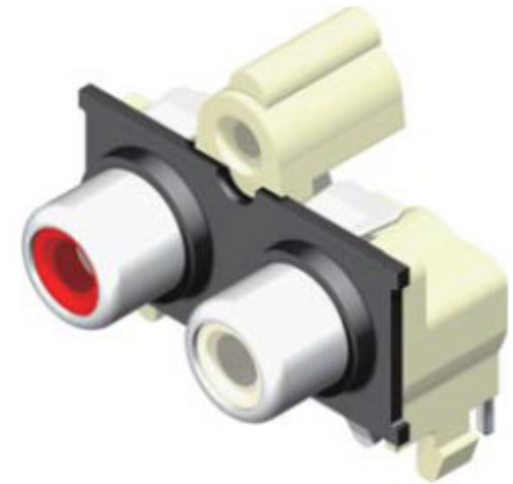
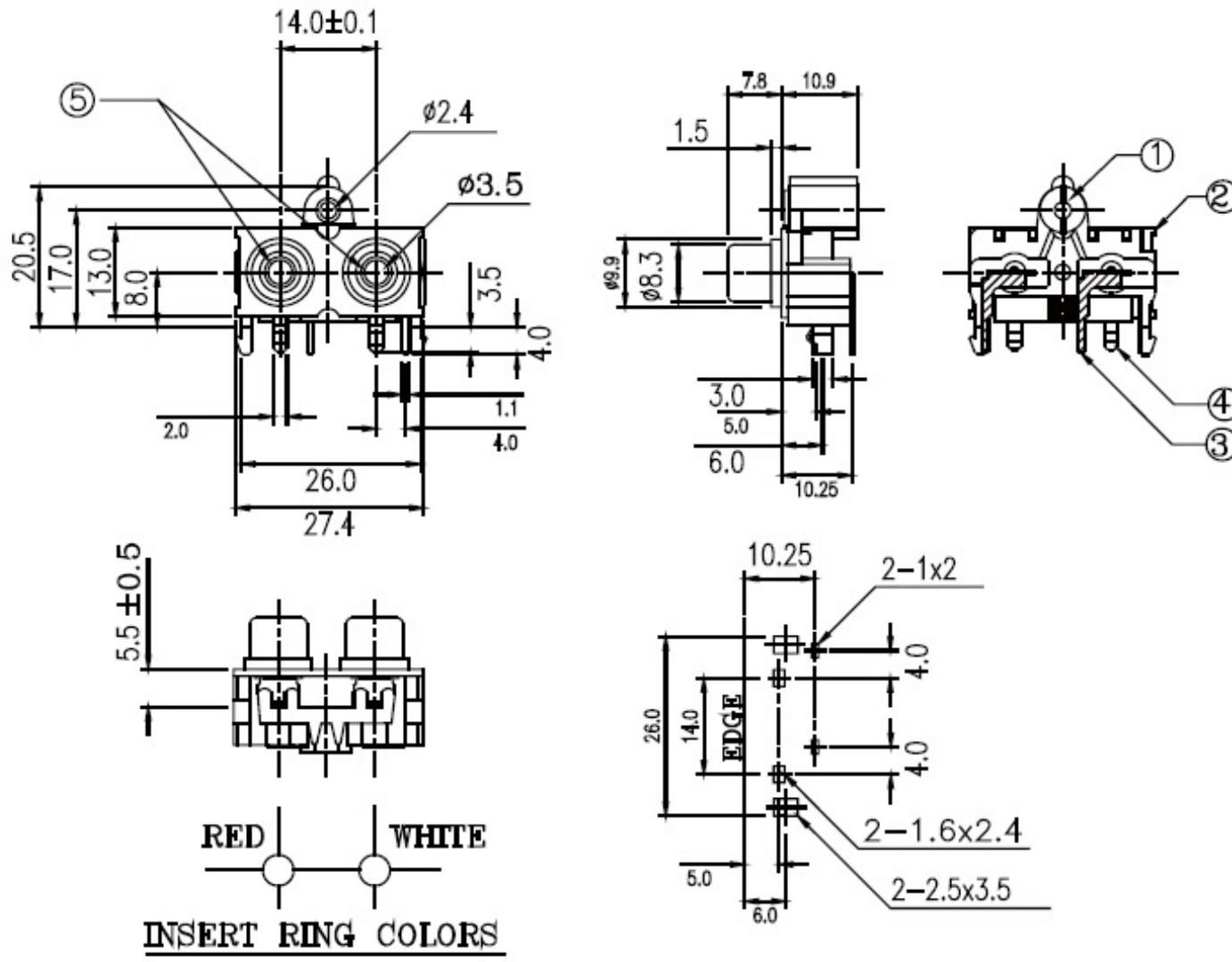


# RCA Jack Conn.



**RCA-1413-2H-L**

| NO. | NAME        | MATERIAL       | FINISH        | Q'TY |
|-----|-------------|----------------|---------------|------|
| 1   | HOUSING     | ABS 94HB       | WHITE         | 1    |
| 2   | RETAINER    | ABS 94HB       | BLACK         | 1    |
| 3   | TERMINAL    | C2680R-H t=0.5 | PB-SN-PLATED  | 2    |
| 4   | TERMINAL    | C2680R-0 t=0.5 | NICKEL-PLATED | 2    |
| 5   | INSERT RING | P.B.T          | R,Y,W         | 2    |