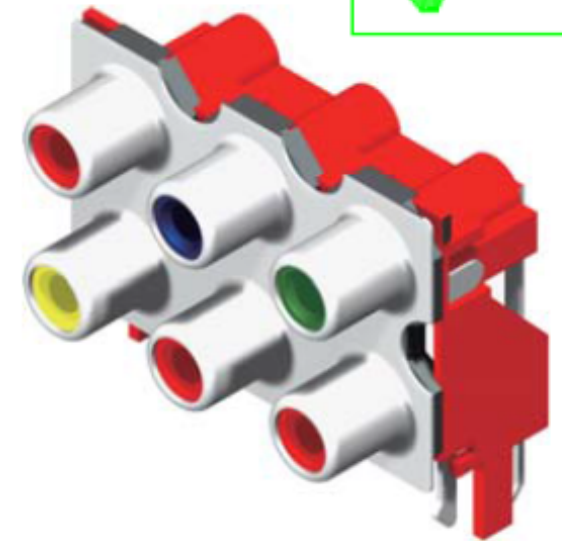
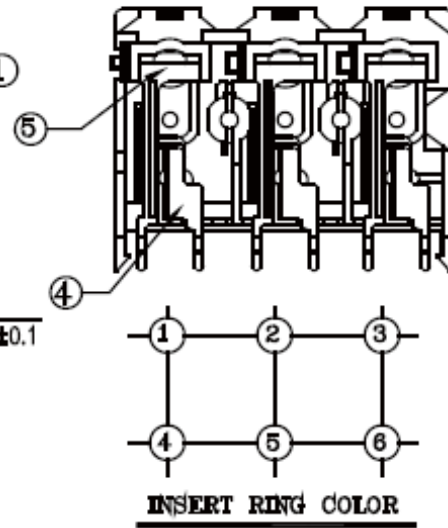
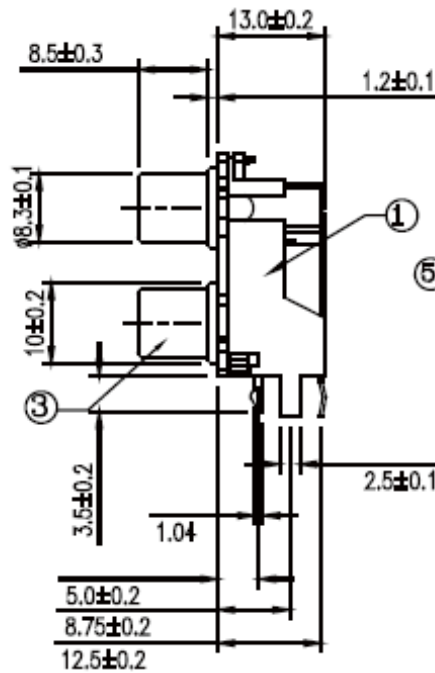
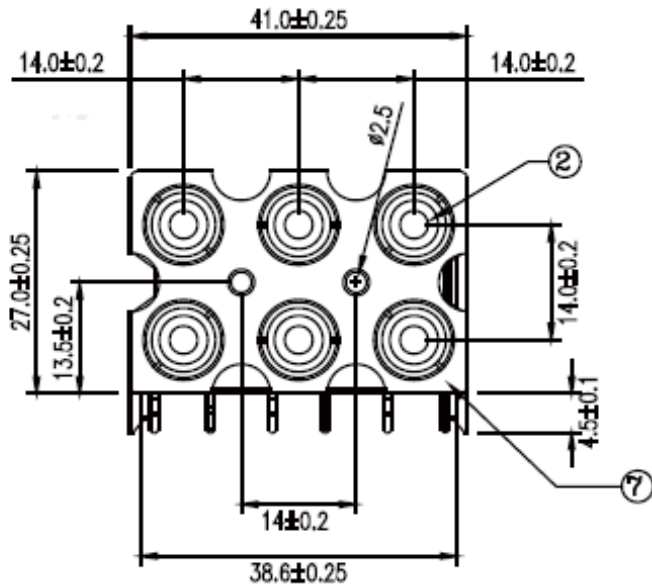
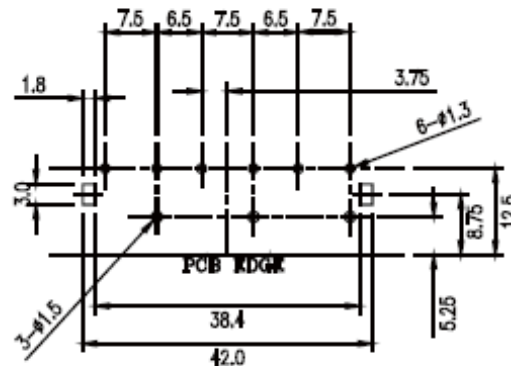
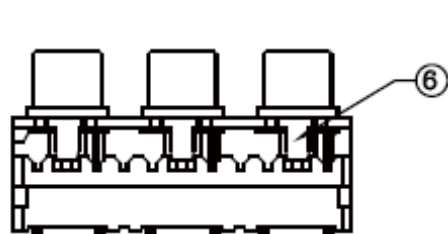


# RCA Jack Conn.

RoHS  
2002/95/EC



**RCA-1414B1S-6-L**



Recommended PCB Layout  
(PCB TOLERANCE ±0.05)

Insert Color / Model	1	2	3	4	5	6
A12	GREEN	BLUE	RED	RED	WHITE	YELLOW

NO.	NAME	MATERIAL	FINISH	Q'TY
1	HOUSING	ABS	RED	1
2	INSERT RING	P.B.T		6
3	BARREL	BRASS T:0.4	NICKEL PLATED	3
4	TERMINAL	BRASS T:0.4	TIN PLATED	3
5	TERMINAL	BRASS T:0.4	TIN PLATED	3
6	RETAINER	POM	BLACK	3
7	SPRING SHEILD	BRASS T:0.2	NICKEL PLATED	1

**TOPTEK**  
HARDWARE ELECTRONIC COMPONENTS



www.toptek-co.com

