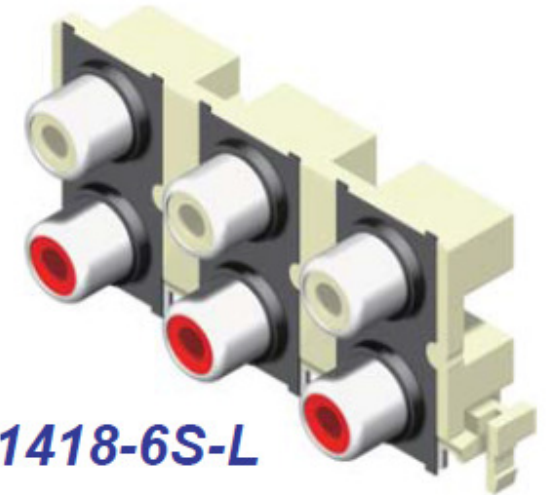
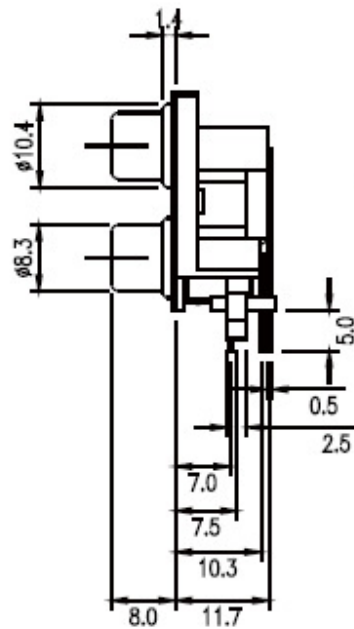
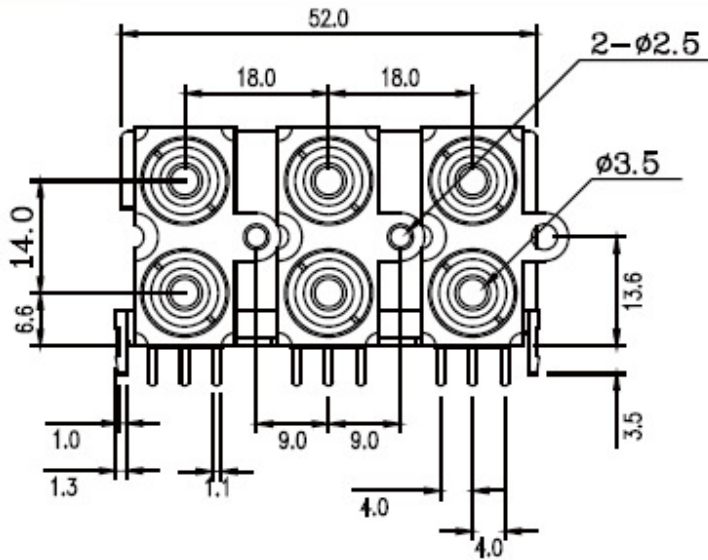
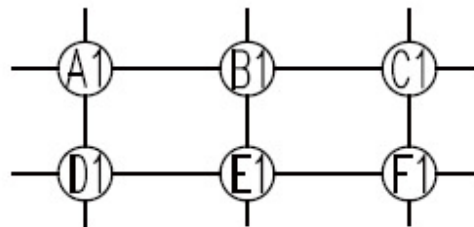
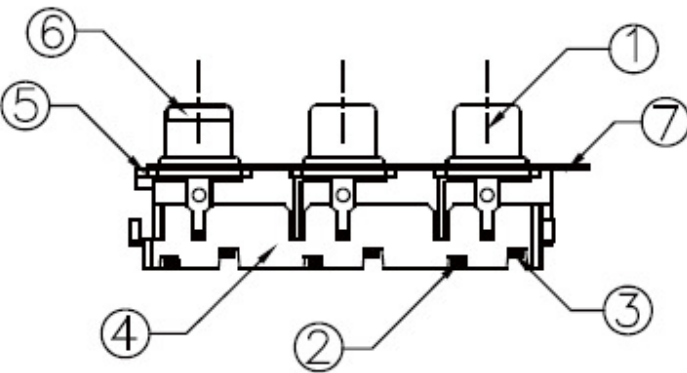


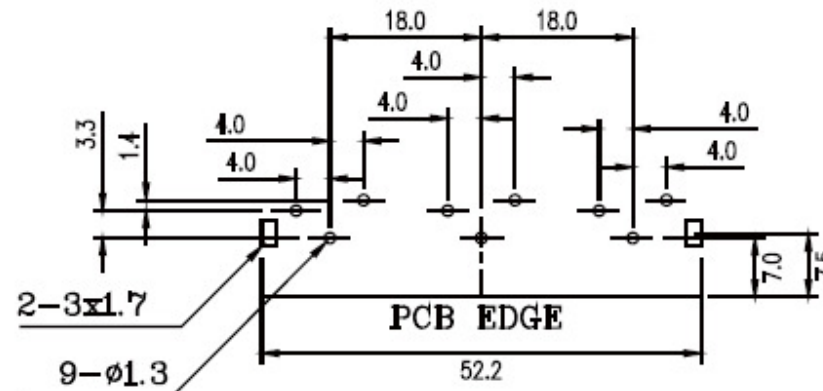
RCA Jack Conn.



RCA-1418-6S-L



SCHEMATIC		RING COLOR					
TOP	1	A1	B1	C1	D1	E1	F1
	2	WHITE	WHITE	WHITE	RED	RED	RED
BOTTOM	A	YELLOW	WHITE	RED	YELLOW	WHITE	RED
	B	YELLOW	RED	WHITE	YELLOW	RED	WHITE
	C	BLACK	BLACK	BLACK	BLACK	BLACK	BLACK



Recommended PCB Layout
(PCB TOLERANCE ±0.05)

NO.	NAME	MATERIAL	FINISH	Q'TY
1	BARREL	BRASS	NICKEL PLATED	3
2	TOP TERM.	BRASS	TIN PLATED	3
3	BOTTOM TERM.	BRASS	TIN PLATED	3
4	HOUSING	ABS	WHITE	1
5	TOP COVER	ABS	BLACK	3
6	RING	P.B.T	R,W,Y,B	3
7	SHELL COVER	BRASS 0.3	NICKEL PLATED	3