

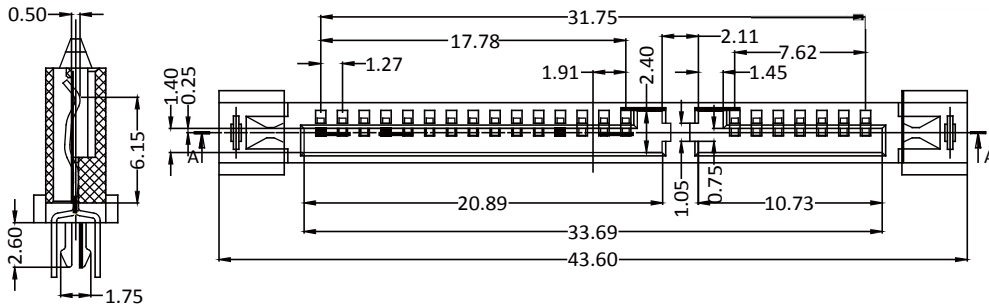
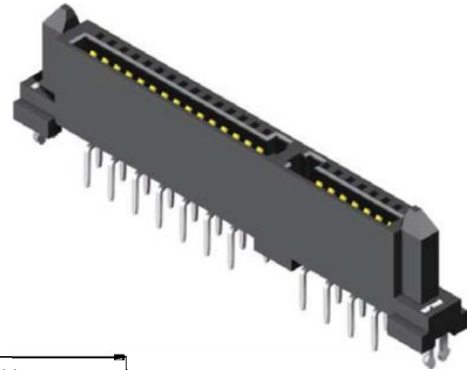
## S.ATA 7+15P Straight Type

### Specifications

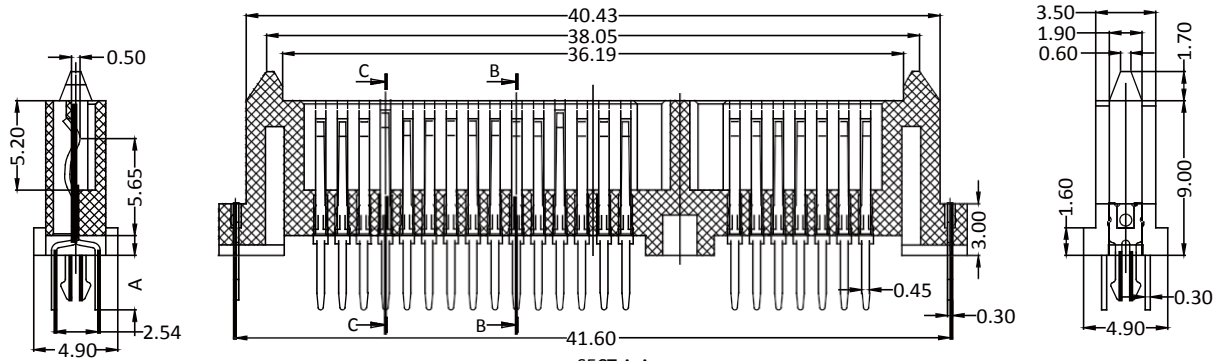
Current Rate:1.5 AMP  
Insulation Resistance:1000M  $\Omega$  Min  
Contact Resistance:30 m $\Omega$  Max  
Dielectric Voltage:500V AC for one minute  
Operation Temperature:-55° C to +125° C

### Material

Insulator:High temperature thermoplastic,UL 94V-0  
Standard:LCP  
Terminal:Copper Alloy  
Plated:Selective Plaed

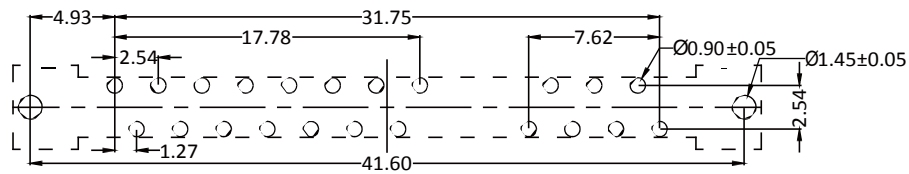


SECT C-C



SECT B-B

SECT A-A



P.C.B. Layout  
Top View

Part No.	Dim.A
SATAS-F22SB-R1-U	3.00
SATAS-F22SB-RA-U	3.18

Part No.:SATAS-F22SB-XX-U

## ORDER INFORMATION

