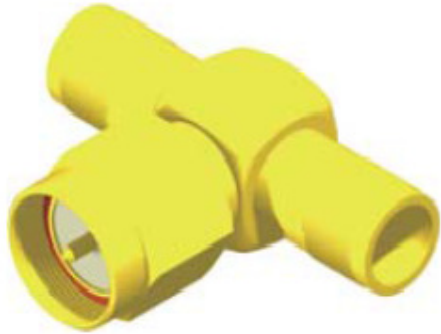
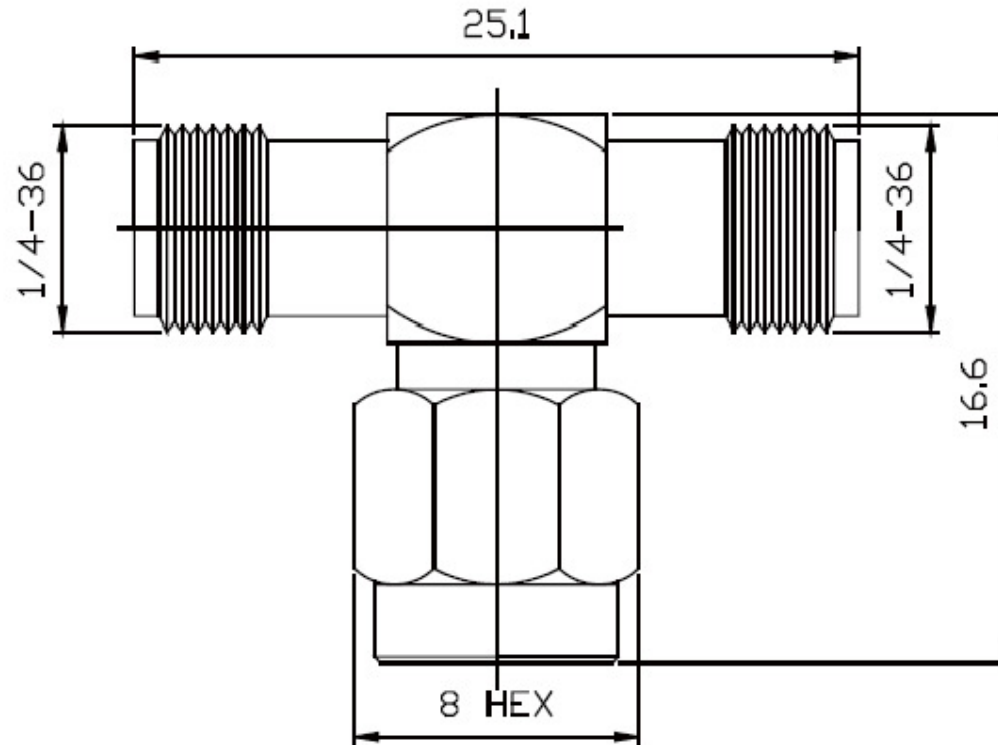


# SMA Conn. Series



SMA008-M  GW-L  
5:50 Ω 7:75 Ω



NO	DESCRIPTION	MATERIAL	FINISH	QTY
10	PIN	BRASS	GOLD	1
9	BODY	BRASS	GOLD	2
8	SHELL	BRASS	GOLD	1
7	GASKET	BRASS		1
6	RETAINING RING	BRASS	GOLD	1
5	DIELECTRIC	TEFLON		1
4	DIELECTRIC	TEFLON		2
3	PIN	BRASS	GOLD	1
2	BODY	BRASS	GOLD	1
1	BODY	BRASS	GOLD	1

IMPEDANCE	50/75 OHM	
FREQUENCY	0-12 GHz	
DIELECTRIC WITHSTANDING VOLTAGE 50 Hz RMS	1000V	
WORKING VOLTAGE DC	500V	
INSULATION RESISTANCE	5000 MEGOHMS MIN	
CONTACT RESISTANCE	INNER CONDUCTOR	≤ 3 MILLIOHMS
	OUTER CONDUCTOR	≤ 0.5 MILLIOHMS
INSERTION LOSS (dB MAX.)	STRAIGHT CONNECTOR	.15 dB MAX. AT 1.0GHz
	RIGHT ANGLE CONNECTOR	.30 dB MAX. AT 1.0GHz

**TOPTEK**  
HARDWARE ELECTRONIC COMPONENTS



www.toptek-co.com