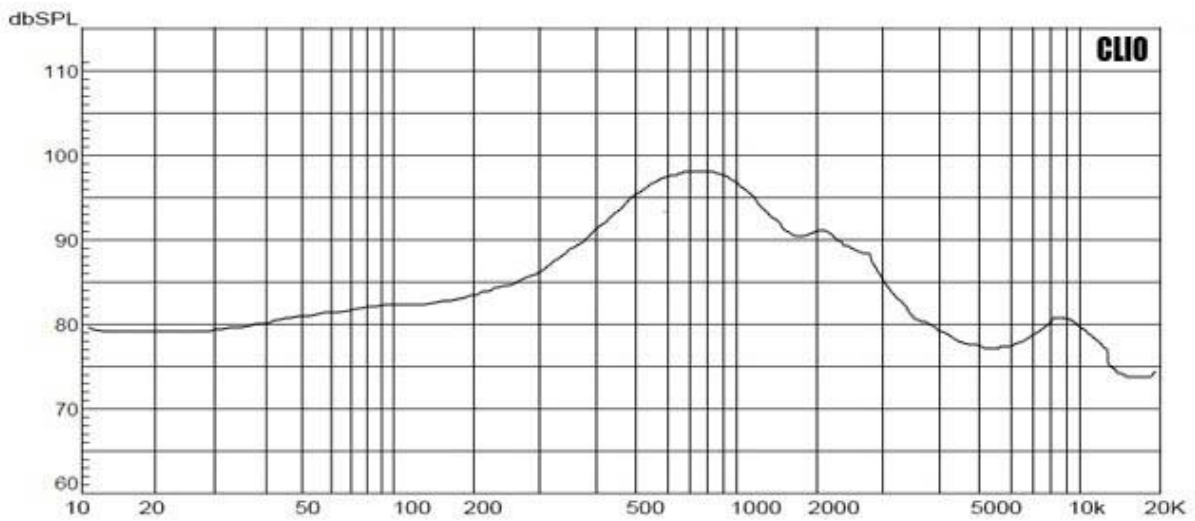
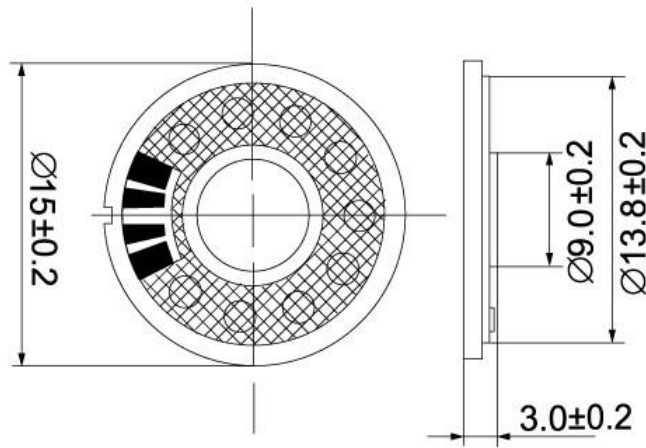




MODEL NO.:T15N-02
 Mominal Power:0.5w
 Maximum Power:0.8w
 Impedance:ohm±15 % Ω
 Fo:600hz



Model No. T15N-02

2	Cone Material:	
3	Edge:	
4	Nominal Power:	0.5w
5	Maximum Power:	0.8w
6	Impedance:	ohm±15%Ω
7	Voice coil:	
8	Fo:	600hz
9	Response:	Fo-20kHz
10	S.P.L:	90±3dB/W/M
11	Magnet Size:	NdFeB
