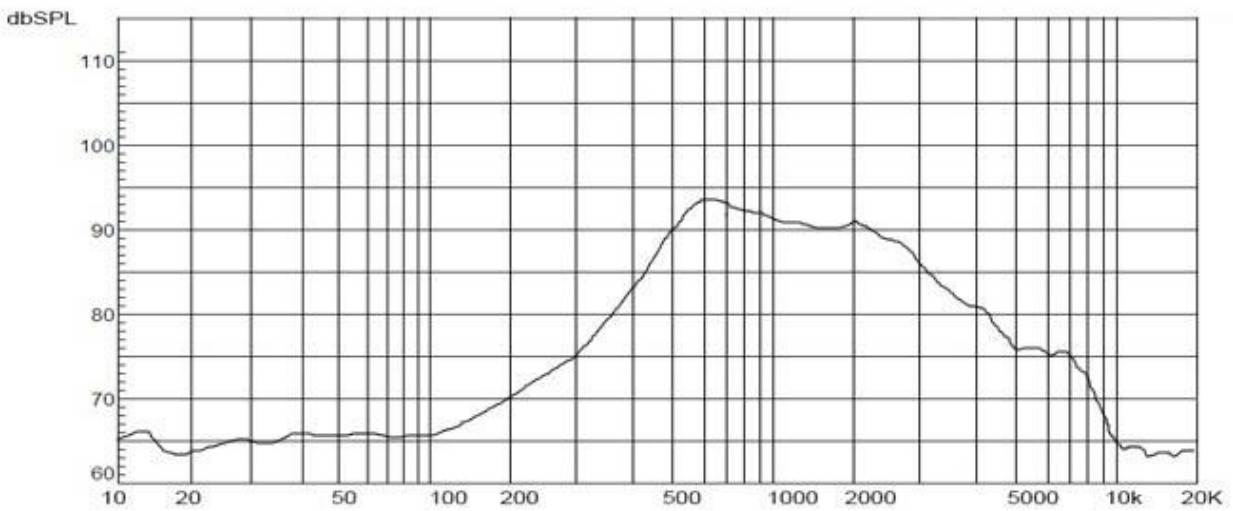
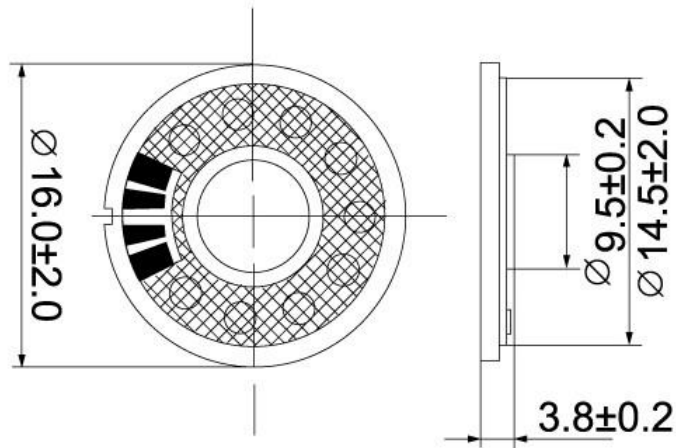


Model No.: T16N-01
 Size: 16*3.8mm

Nominal Power: 80mw

Maximum power: 100mw

Impedance: $\text{ohm} \pm 15\% \Omega$
 S.P.L: 90 \pm 3dB/0.1W/0.1



Model No. T16N-01

2	Diaphragme	
3	Frame	
4	Nominal Power:	80mw
5	Maximum Power:	100mw
6	Impedance:	ohm±15%Ω
7	Voice coil:	
8	Fo:	550 HZ
9	Response:	Fo-20kHz
10	S.P.L	90±3dB/0.1W/0.1
11	Magnet Size:	NdFeB
