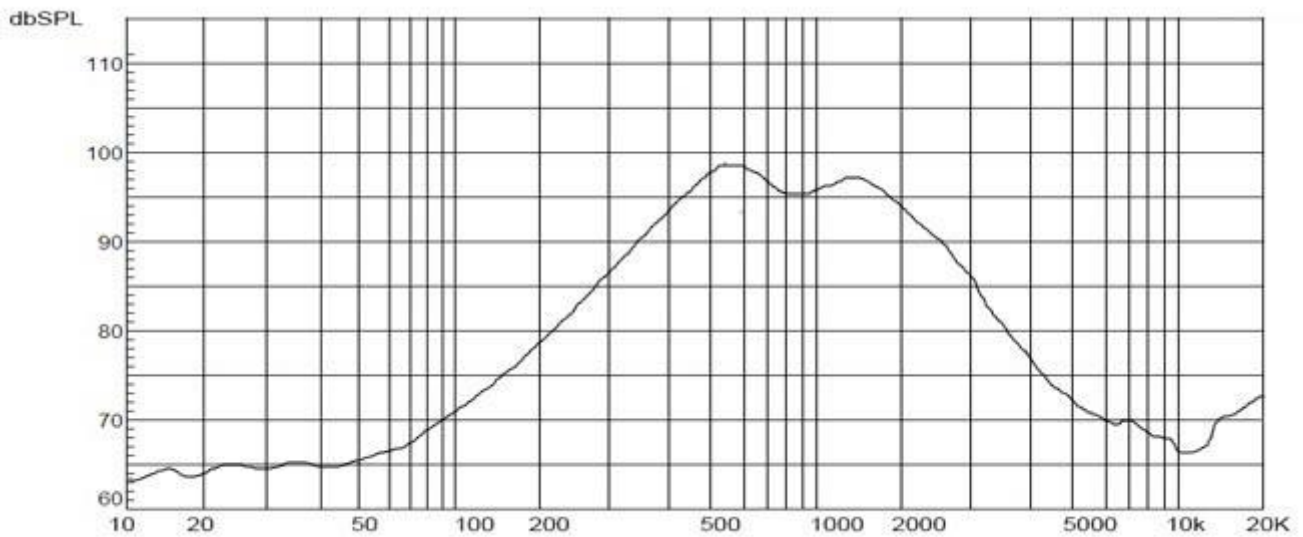
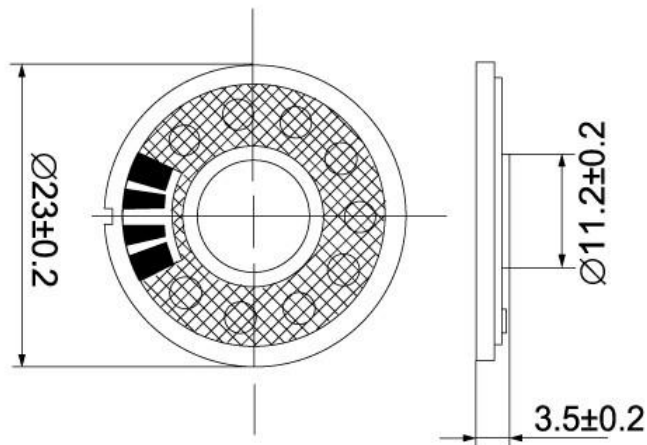


T23N-B

Model NO.:EST23N-B
 size:23*3.5mm
 magnet:11mm
 RMS:0.25W
 max power:0.5W
 S.P.L :87±3dB



| | | |
|----|--------------------|-----------------|
| 1 | Model No. | T23N-B |
| 2 | Diaphragm | |
| 3 | Frame | |
| 4 | Nominal Power: | 0.25W |
| 5 | Maximum Power: | 0.5W |
| 6 | Impedance: | ohm±15%Ω |
| 7 | Voice coil: | |
| 8 | Fo: | 600 HZ |
| 9 | Response: | Fo-20kHz |
| 10 | S.P.L | 87±3dB/0.1W/0.1 |
| 11 | Magnet Size: NdFeB | |