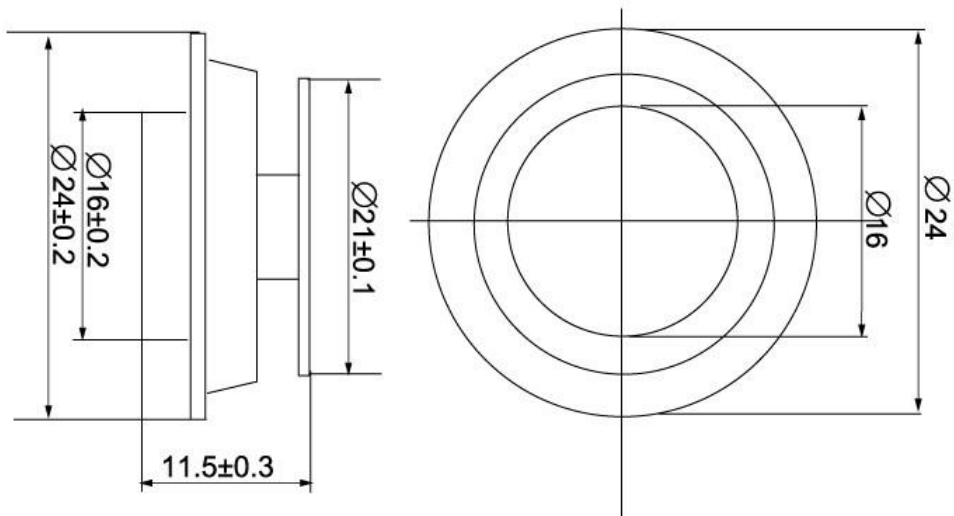
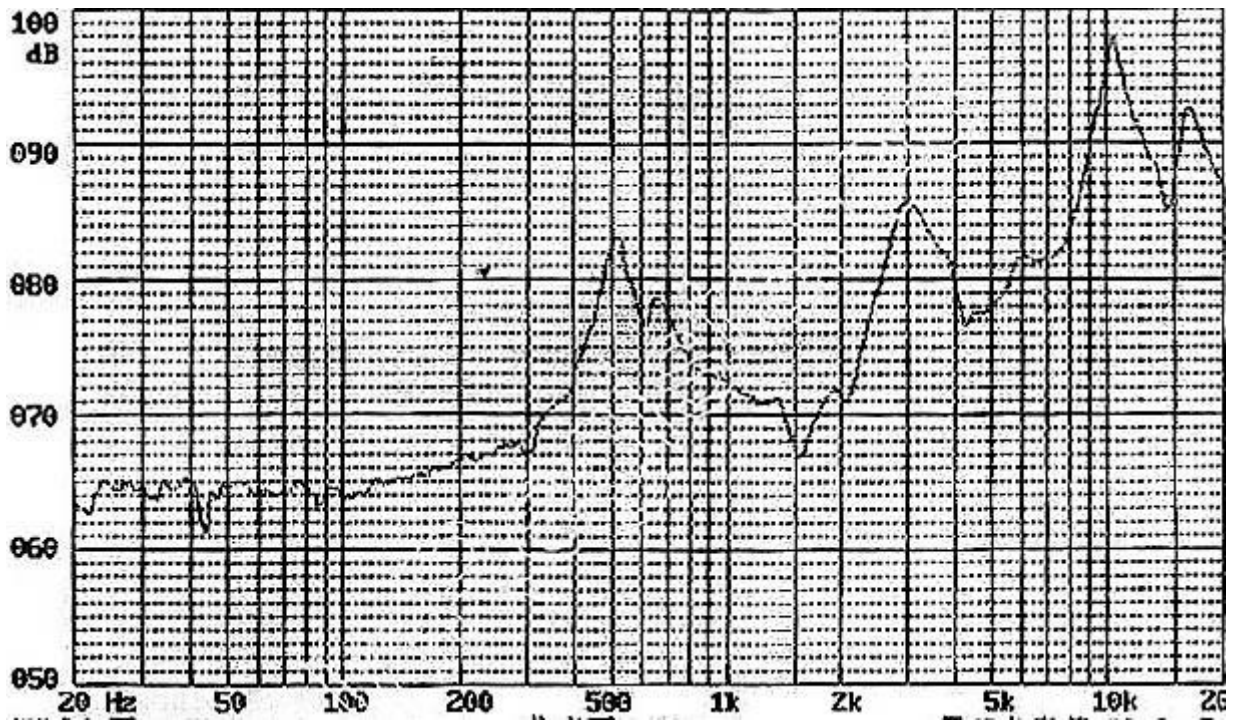




Model No.:T24N-05  
size:24\*11mm  
magnet:16mm  
RMS:0.25W  
max power:0.5W  
S.P.L: 83±3dB





|    |                |              |
|----|----------------|--------------|
| 1  | Model No.      | T24N-05      |
| 2  | Cone Material: |              |
| 3  | Edge:          |              |
| 4  | Nominal Power: | 1W           |
| 5  | Maximum Power: | 3W           |
| 6  | Impedance:     | 4±15%Ω       |
| 7  | Fo:            | 650 HZ       |
| 8  | Response:      | Fo-20kHz     |
| 9  | S.P.L:         | 83±3dB/W/M   |
| 10 | Magnet Size:   | Φ12.5×2H N35 |