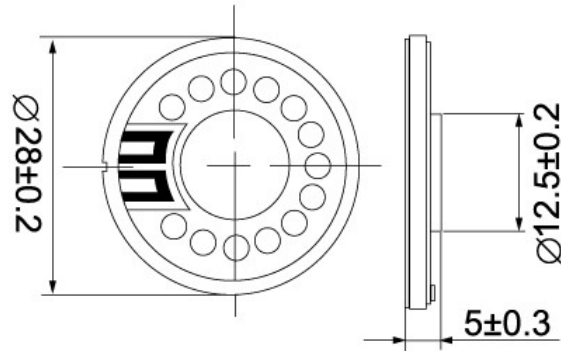
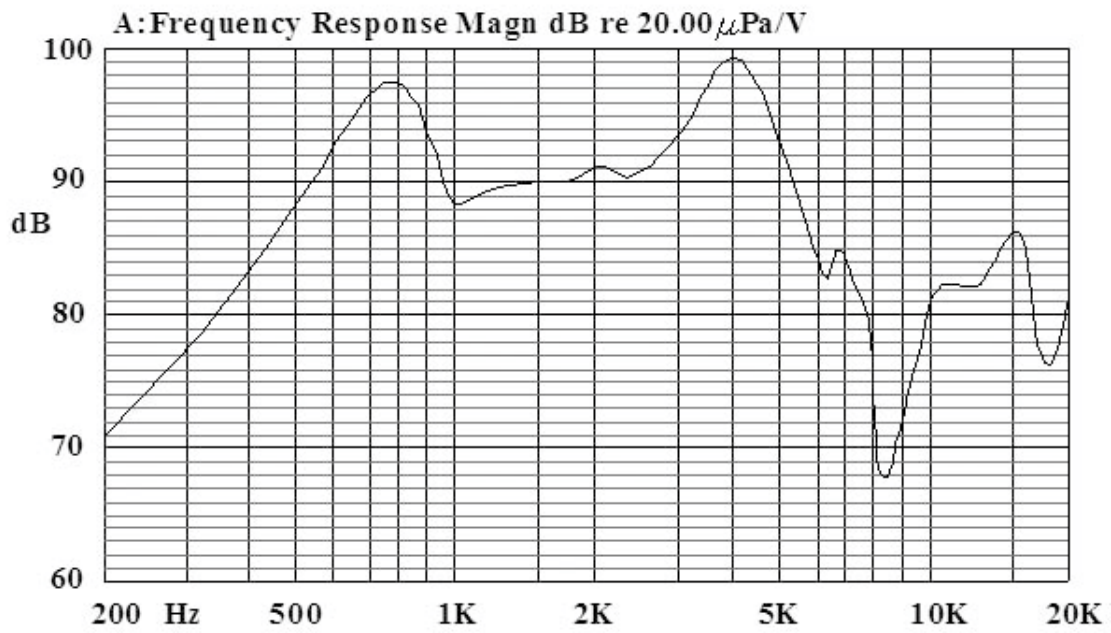


Model No.:T28N-B

size:28\*5.0mm  
magnet:12.5mm  
RMS:1W  
max power:2W  
S.P.L:92±3dB





1	Model No.	T28N-B
2	Cone Material:	Mylay
3	Edge:	Paper
4	Nominal Power:	1.0w
5	Maximum Power:	2.0w
6	Impedance:	ohm $\pm$ 15% $\Omega$
7	Voice coil:	
8	Fo:	550hz
9	Response:	Fo-6kHz
10	S.P.L:	92 $\pm$ 3dB/W/M
11	Magnet Size:	9.5*1.0