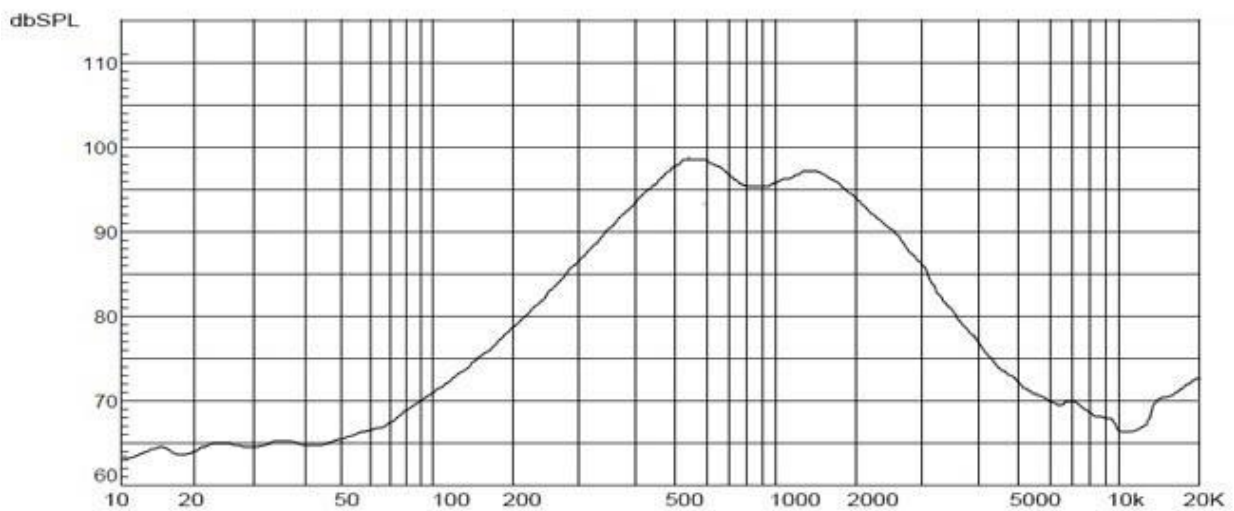
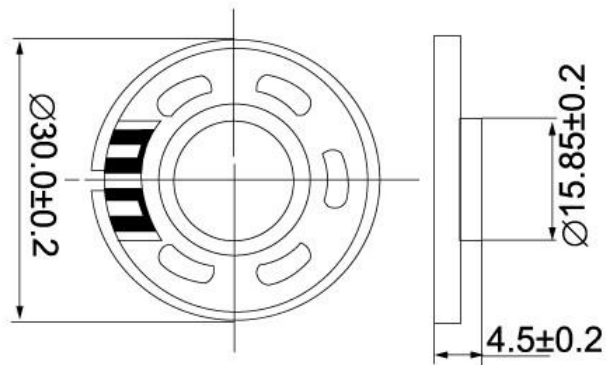


Model No.:T30N-B

size:30*4.5mm
magnet:16mm
RMS:0.25W
max power:0.5W
S.P.L: 91±3dB



.	Model No.	T30N-B
2	Cone Material:	Mylay
3	Edge:	
4	Nominal Power:	0.25w
5	Maximum Power:	0.5w
6	Impedance:	ohm±15%Ω
7	Voice coil:	
8	Fo:	400hz
9	Response:	Fo-6kHz
10	S.P.L:	91±3dB/W/M
11	Magnet Size:	NdFeB
