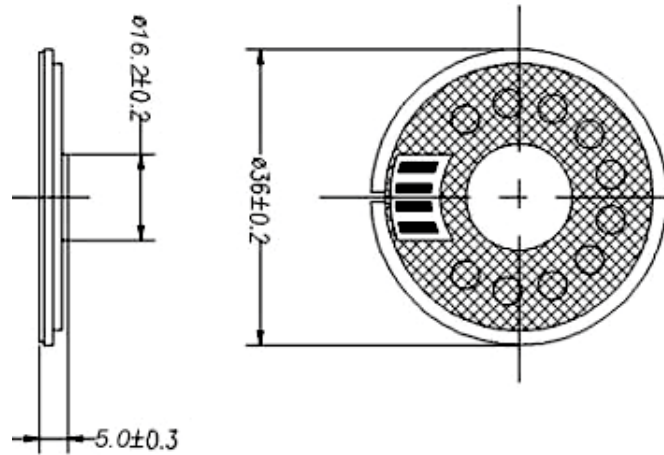
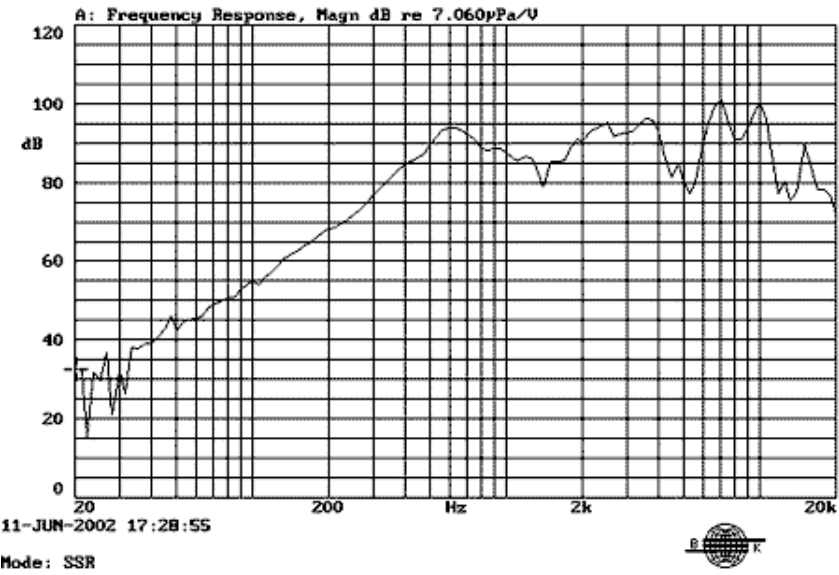


Model No.:T36N-E
Size:36*5.0mm
Nominal Power: 0.25W
Maximum Power: 0.5w
S.P.L: 91±3dB



X:20.000Hz *Y:32.85dB* ZA:Live Curve SSR Fund.



.	Model No.	T36N-E
2	Cone Material:	Mylay
3	Edge:	
4	Nominal Power:	0.25w
5	Maximum Power:	0.5w
6	Impedance:	ohm±15%Ω
7	Voice coil:	
8	Fo:	600hz
9	Response:	Fo-6kHz
10	S.P.L:	91±3dB/W/M
11	Magnet Size:	NdFeB
