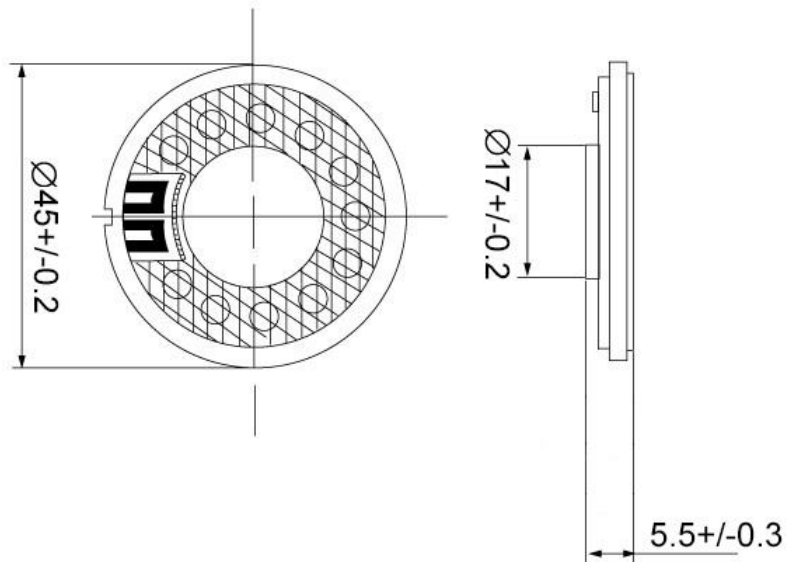
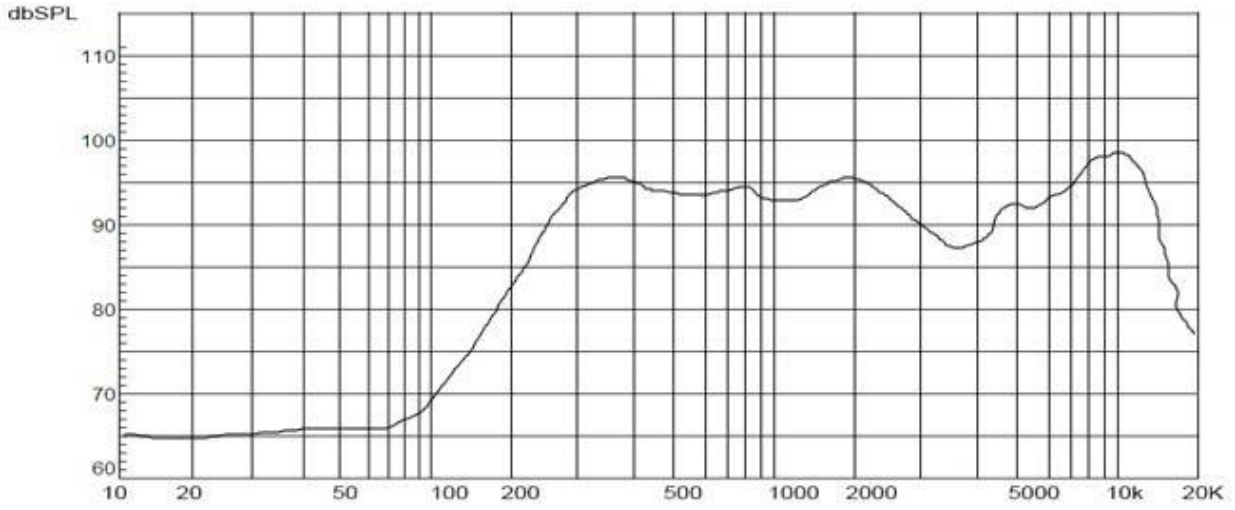


Model No.: T45N-B
Size: 45*5.5mm
Nominal Power: 1.0w
Maximum Power: 2.0w
Impedance: 8 ohm±15%Ω
S.P.L: 85±3dB





1	Model No.	T45N-B
2	Cone Material:	Mylar
3	Edge:	
4	Nominal Power:	1.0w
5	Maximum Power:	2.0w
6	Impedance:	8 ohm±15%Ω
7	Voice coil:	
8	Fo:	300hz
9	Response:	Fo-20kHz
10	S.P.L:	85±3dB/W/M
11	Magnet Size:	NdFeB