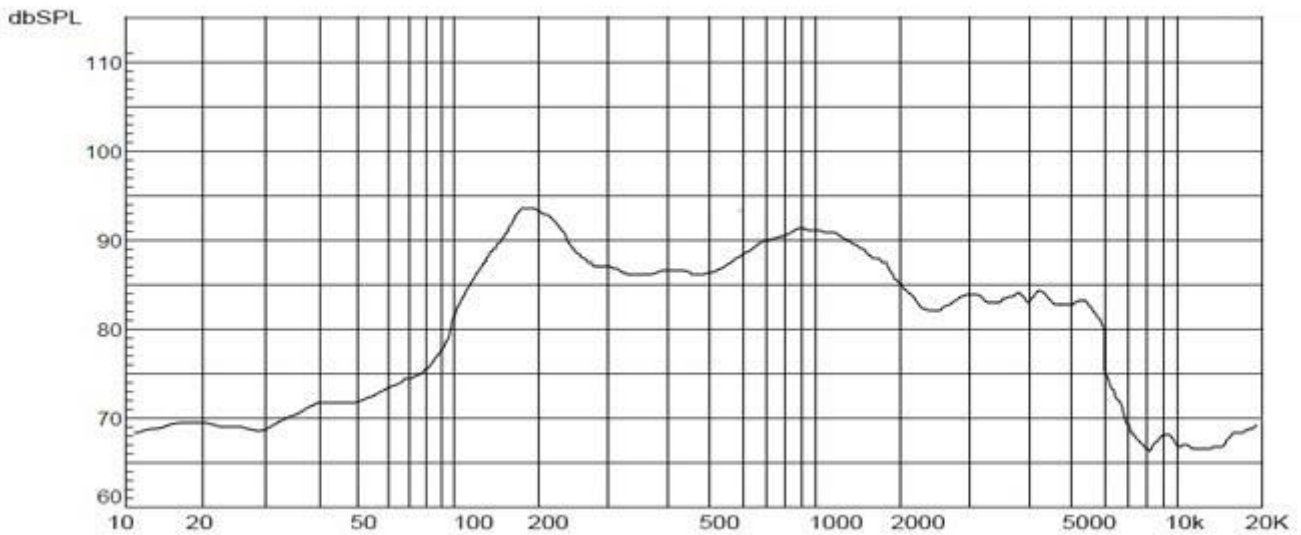
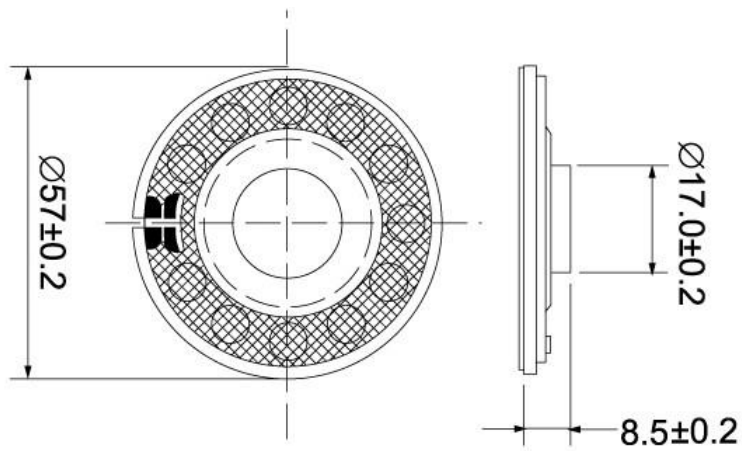


MODEL NO.:T57N-A

size:57*8.5mm
 magnet:17mm
 RMS:0.5W
 max power:1.0W



.	Model No.	T57N-A
2	Cone Material:	Mylay
3	Edge:	
4	Nominal Power:	0.8w
5	Maximum Power:	1.0w
6	Impedance:	ohm±15%Ω
7	Voice coil:	
8	Fo:	150hz
9	Response:	Fo-20kHz
10	S.P.L:	90±3dB/W/M
11	Magnet Size:	NdFeB
