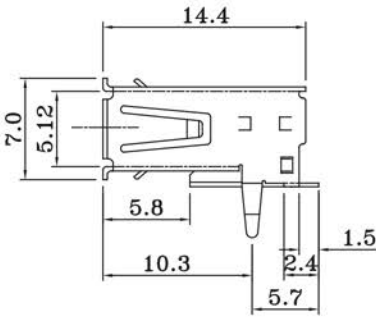
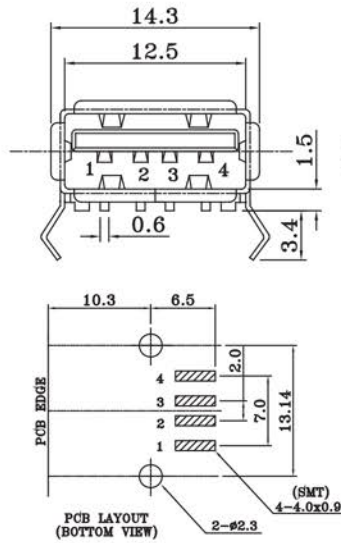


USB Conn.

USB Female SMT 90°A Type

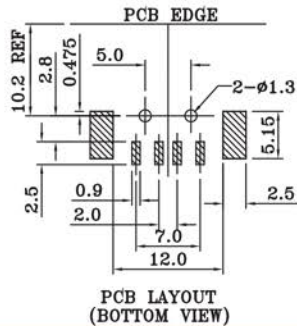
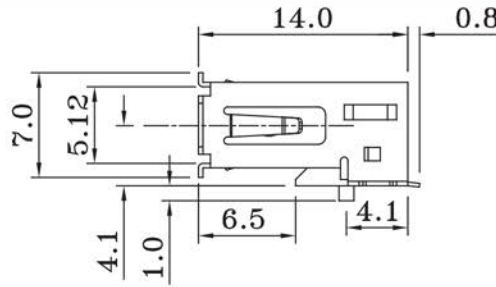
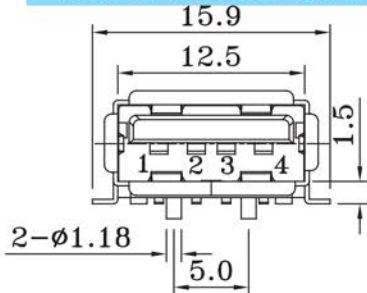


Part No.: **USB-001H-A** -U

B:Black W:White

No.	Name	Qty	Material	Remarks & Thickness	Finish
1	Housing	1	Nylon 9T G.F.		White/Black
2	Pin Term.	4	Copper Alloy T:0.25	Ni:1-1.5u;Tin:3u; Gold:1-3u*	Gold/Tin Plated
3	Shell	1	Brass T:0.3	Ni:2-3u	Nickel Plated

USB Female SMT 90°A Type With Peg

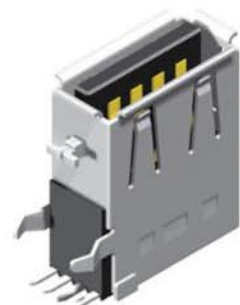
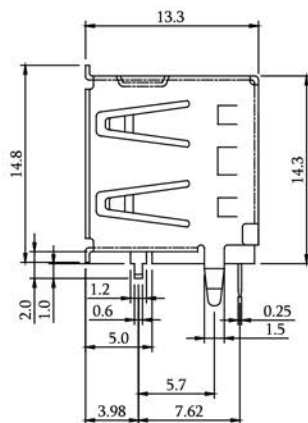
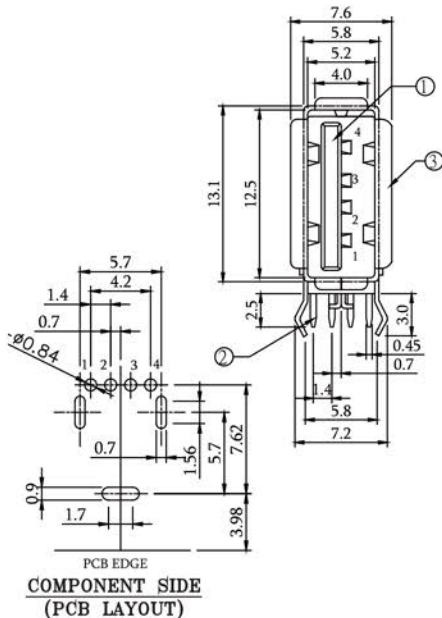


Part No.: **USB-001FA-A1** -U

B:Black W:White

No.	Name	Qty	Material	Remarks & Thickness	Finish
1	Housing	1	Nylon 9T G.F.		Black
2	Pin Term.	4	Copper Alloy T:0.25	Ni:1-1.5u;Tin:3u; Gold:1-3u*	Gold/Tin Plated
3	Shell	1	Brass T:0.3	Ni:2-3u	Nickel Plated

USB Female Dip Upright A Type



Part No.: **USB-001VF-A** -U

B:Black W:White

No.	Name	Qty	Material	Remarks & Thickness	Finish
1	Housing	1	Nylon 9T G.F.		White/Black
2	Pin Term.	4	PBS T:0.25	Ni:1-1.5u;Tin:3u; Gold:1-3u*	Gold/Tin Plated
3	Shell	1	Brass T:0.3	Ni:2-3u	Nickel Plated