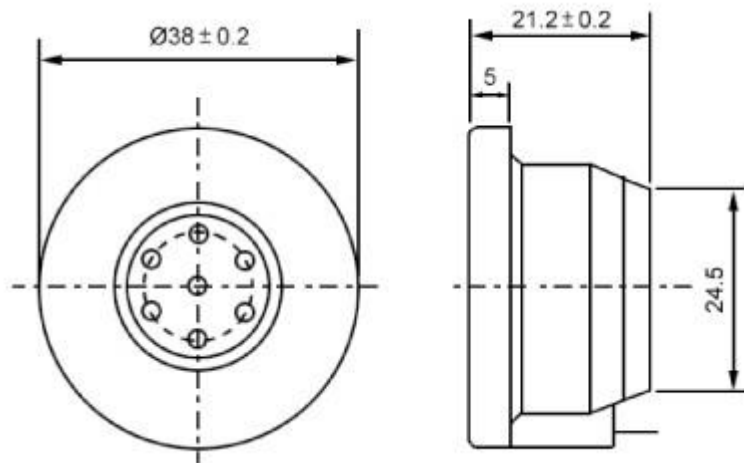


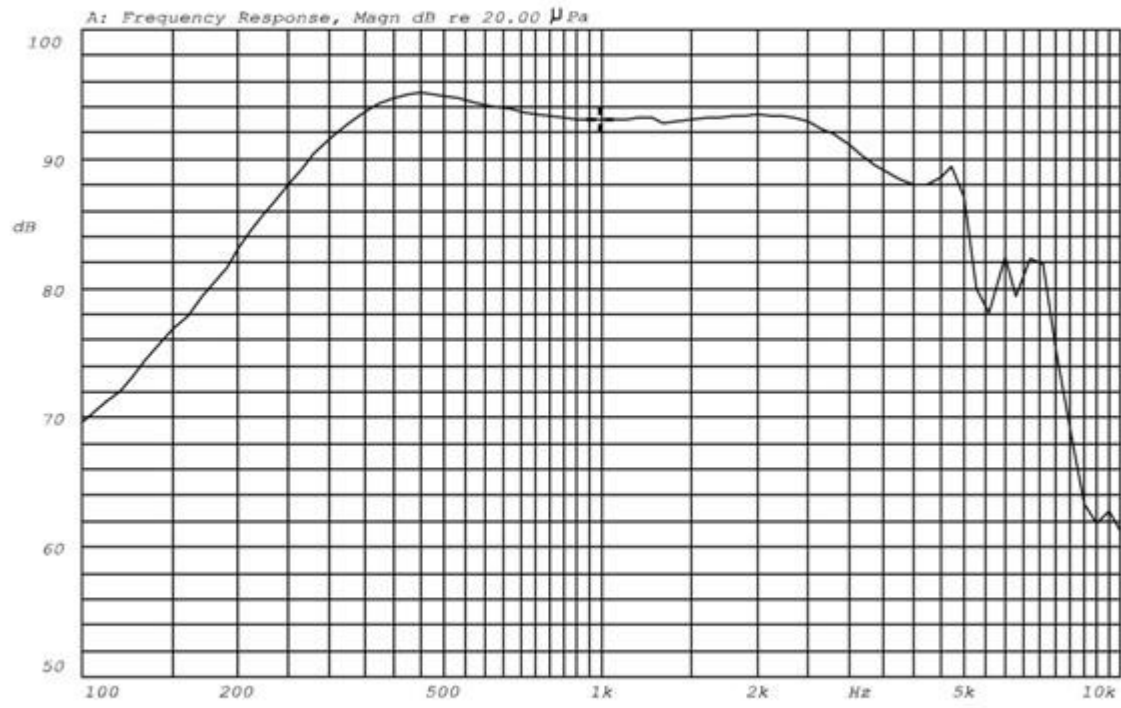
V38210-02

MODEL NO.:V38210-02  
Φ38X21mm



# IMPEDANCE & FREQUENCY RESPONSE:

X:1.0000kHz \*Y:93.02dB ZA:Live Curve SSR Fund.



Mode: Receiver



Model No.	V38210-02
Impedance .	150 Ohm ±20% at 1KHz
Sensitivity	97+/-3dB at 1kHz 60mV with IEC 318 coupler
Freq.range	300~3400HZ
Axial Director (at 1KHz 0dB 1A/M)	≥-19dB
Radial Director (t 1KHz 0dB 1A/M)	≥-22dB
Max. Input Power	Must be normal at a white noise , 50mW for 1 minute.
Buzz, Rattle, etc.	Should not be audible at 1V sine wave between 300 Hz to 3.4 kHz
Appearance.	Should not exist any obstacle to be harmful to normal operation: damages, cracks, rusts, and distortions, etc
Buzz, Rattle, etc.	Should not be audible at 1V sine wave between 300 Hz to 3.4 kHz
Terminal Strength.	Capable of withstanding 1 kg load for 15 sec without resulting in any damage or rejection
Load Test.	1mW white noise (-filter) is applied for 72 hours satisfy the tests listed on item 03,04,09, and 10